

Features

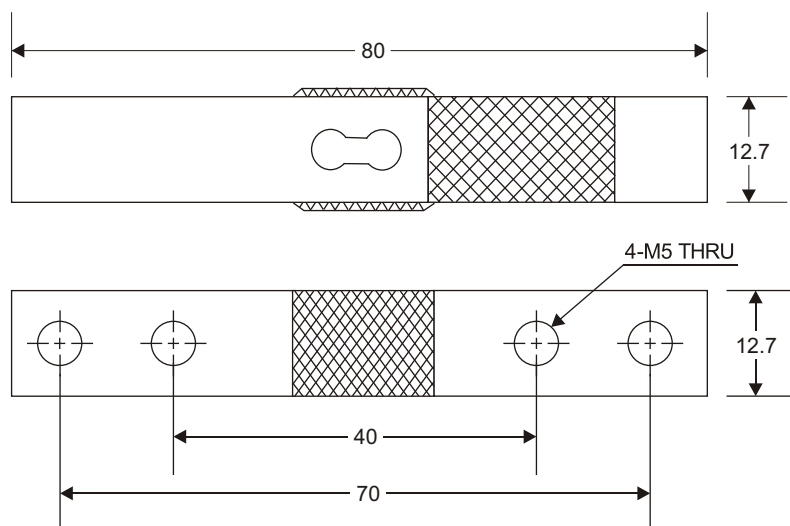
- Capacities : 1, 3, 5, 10, 20Kg. (20Kg 停産)
- High accuracy.
- Total alloy aluminum construction.
- Low profile.
- Easy cable replacement.
- Complete range of loading hardware available.
- Factory mutual approved.



Specifications

Type	LU-LAA-B-1K	LU-LAA-B-3K	LU-LAA-B-5K	LU-LAA-B-10K	LU-LAA-B-20K
Maximum Capacity	1Kg	3Kg	5Kg	10Kg	(20Kg 停産)
Material	Aluminum				
Accuracy Class	S%R.O.				
Rated Output	1.0 ± 20% mV/V				
Zero Balance	± 0.1m V/V				
Nno-linearity	± 0.05%R.O.				
Nno-repeatability	± 0.05%R.O.				
Hysteresis	± 0.05%R.O.				
Creep	± 0.05%R.O. / 2min				
Temp. Effect on Output	± 0.05%R.O. / 10°C				
Temp. Effect on Zero	± 2%R.O. / 10°C				
Input Resistance	1130 ± 20Ω				
Output Resistance	1000 ± 10Ω				
Insulation Resistance	≥ 2000MΩ				
Excitation, recommended	≤ 6VDC				
Operating Temp. Range	-10~+40VDC				
Safe Overload	150%R.C.				
Cable, Length	φ 0.8mm x 0.2m				

Dimensions (Unit:mm)



Color code of cable

