

特點

- No noise. ● Safety.
- High reliability, long life.
- Low input power consumption.
- No contact points.
- No switching sparks.
- No mechanical damage.
- Need no maintenance.
- Need no maintenance motion, electronic devices.
- Fast reaction, fits in high frequency motions.



1.選購型號：RK-□-□-□-□-□-□-□

NO	Phase number	NO	Zero-cross circuit	NO	Output Current				NO	Input Voltage	NO	Output Voltage	NO	High Voltage	NO	Line
1	1 phase type		Standard Type	5	5A	50	50A	A	AC Input	D	120VDC		Standard Type		Standard Type	
3	3 phase type	Z	Zero cross	10	10A	75	75A	C	Current	A	280VAC	H	Output Voltage 240VDC 480VAC	2L	2 Line	
		R	Random turn	15	15A	90	90A	D	DC Input							
				25	25A	100	100A	V	Variable relay							
				40	40A	125	125A									

2.主要規格

- (1) Category : DC/AC, Single SSR, 3 Phase 3 Line, 3 Phase 2 Line.
- (2) SIP Type1 : Apple to PCB welding.
- (3) Panel Mount Type : Apple to screw to fix.
- (4) I/O Module Type : Apple many kind of I/O to control.
- (5) High-Tension : Load Voltage can to 480VAC, 1200V peak.
- (6) Electricity : Max Load current to 125A
- (7) 3 Phase SSR : To control 3 Phase Motor & Temperature, Load Voltage to 480VAC.

Type	RK-□CA	RK-□CA-H	RK-Z-□DA	RK-Z-□DA-H	RK-□DD	RK-□DD-H
Control voltage range	4 ~ 20 mA or 0 ~ 10 VDC		4 ~ 32 VDC		3 ~ 32 VDC	
Must turn off voltage	MAX 3.0 VDC		MAX 1.0 VDC		MAX 10 VDC	
Input impedance	1.5 Kohm		1.5 Kohm		1.5 Kohm	
Max load current	10A, 15A, 25A, 40A, 50A, 75A, 90A		10A, 15A, 25A, 40A, 50A, 75A, 90A, 100A, 125A		5A, 10A, 25A, 40A, 50A, 75A	
Load voltage range	24 ~ 280 VAC	48 ~ 480 VAC	24 ~ 280 VAC	48 ~ 480 VAC	5 ~ 120 VDC	5 ~ 240 VDC
Min blocking voltage	600 VAC	1200 VAC	600 VAC	1200 VAC	140 VDC	140 VDC
Max off-state leakage	Less 3mA	Less 5mA	Less 3mA	Less 5mA	Less 2 mA	Less 3 mA
Max 1-cycle peak surge	100A, 150A, 250A, 400A, 500A		100A, 150A, 250A, 400A, 500A, 750A, 900A, 1000A, 1250A		25A, 50A, 100A, 200A, 250A, 375A	
Max off-state dv/dt	500V/ μ SEC	1000V/ μ SEC	500V/ μ SEC	1000V/ μ SEC	100V/ μ SEC	200V/ μ SEC
Isolate impedance	10 ⁸ ohm					
Dielectric strength input-output	4000 VAC rms					
Dielectric strength input, output-case	4000 VAC rms					
Turn on time	Less 2m Sec					
Turn off time	LESS 1/2 AC cycle		LESS 1/2 AC cycle		Less 2m Sec	
Frequency range	47 ~ 70Hz					
Operating temperature	-20 ~ 80					
Switching type	Phase control		Zero cross		N/A	
Weight	100g		100g		100g	

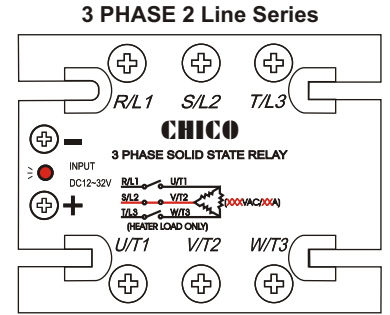
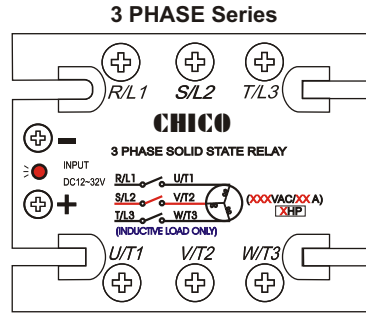
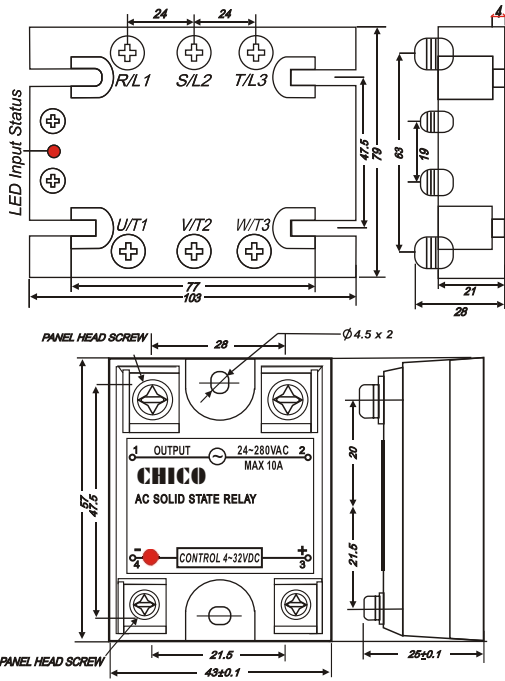
Type	RK-Z-□AA	RK-Z-□AA-H	RK-□AD	RK-□AD-H	RK-□VA	RK-□VA-H
Control voltage range	80 ~ 280 VAC		80 ~ 280 VAC		VR 0 ~ 500 K	VR 0 ~ 1 M
Must turn off voltage	MAX 10 VAC		MAX 10 VAC		-	
Input impedance	1.5 Kohm		1.5 Kohm		1.5 Kohm	
Max load current	10A, 15A, 25A, 40A, 50A, 75A, 90A, 100A, 125A		10A, 25A		10A, 15A, 25A, 40A, 50A, 75A, 90A	25A, 40A, 50A, 75A, 90A
Load voltage range	24 ~ 280 VAC	48 ~ 480 VAC	5 ~ 120 VDC	5 ~ 240 VDC	24 ~ 280 VAC	48 ~ 480 VAC
Min blocking voltage	600 VAC	1200 VAC	140 VDC	300 VDC	600 VAC	1200 VAC
Max off-state leakage	Less 3mA	Less 5mA	Less 3mA	Less 5mA	Less 3 mA	Less 5 mA
Max 1-cycle peak surge	100A, 150A, 250A, 400A, 500A, 750A, 900A, 1000A, 1250A		15A, 35A		100A, 150A, 250A, 400A, 500A, 750A, 900A	250A, 400A, 500A, 750A, 900A
Max off-state dv/dt	500V/ μ SEC	1000V/ μ SEC	100V/ μ SEC	200V/ μ SEC	500V/ μ SEC	1000V/ μ SEC
Isolate impedance	10 ⁹ ohm					
Dielectric strength input-output	4000 VAC rms				-	
Dielectric strength input, output-case	4000 VAC rms					
Turn on time	Less 2m Sec					
Turn off time	LESS 1/2 AC cycle		Less 2m Sec		LESS 1/2 AC cycle	
Frequency range	47 ~ 70Hz					
Operating temperature	-20 ~ 80					
Switching type	Zero cross		N/A		N/A	
Weight	100g		95g		100g	

Type	3 Phase Series				3 Phase 2 Line Series			
	Heater Load Only							
	RK-3-Z-25DA	RK-3-Z-25DA-H	RK-3-Z-25AA	RK-3-Z-25AA-H	RK-3-Z-25DA-2L	RK-3-Z-25DA-H-2L	RK-3-Z-25AA-2L	RK-3-Z-25AA-H-2L
	RK-3-Z-125DA	RK-3-Z-125DA-H	RK-3-Z-125AA	RK-3-Z-125AA-H	RK-3-Z-125DA-2L	RK-3-Z-125DA-H-2L	RK-3-Z-125AA-2L	RK-3-Z-125AA-H-2L
Inductive Load Only								
RK-3-R-25DA	RK-3-R-25DA-H	RK-3-R-25AA	RK-3-R-25AA-H	RK-3-R-25DA-2L	RK-3-R-25DA-H-2L	RK-3-R-25AA-2L	RK-3-R-25AA-H-2L	
RK-3-R-125DA	RK-3-R-125DA-H	RK-3-R-125AA	RK-3-R-125AA-H	RK-3-R-125DA-2L	RK-3-R-125DA-H-2L	RK-3-R-125AA-2L	RK-3-R-125AA-H-2L	
Control voltage range	6~32VDC	12~32VDC	80~280VAC		5~32VDC	10~32VDC	80~280VAC	
Must turn off voltage	Max 3.0VDC		Max 10 VAC		Max 3.0VDC		Max 10 VAC	
Input impedance	1.5 Kohm							
Max load current	25A, 40A, 50A, 75A, 90A, 100A, 125A							
Load voltage range	24 ~ 280 VAC	48 ~ 480 VAC	24 ~ 280 VAC	48 ~ 480 VAC	24 ~ 280 VAC	48 ~ 480 VAC	24 ~ 280 VAC	48 ~ 480 VAC
Min blocking voltage	600 VAC	1200 VAC	600 VAC	1200 VAC	600 VAC	1200 VAC	600 VAC	1200 VAC
Max off-state leakage	Less 10mA							
Max 1-cycle peak surge	250A, 400A, 500A, 750A, 900A, 1000A, 1250A							
Max off-state dv/dt	500V/ μ SEC	1000V/ μ SEC	500V/ μ SEC	1000V/ μ SEC	500V/ μ SEC	1000V/ μ SEC	500V/ μ SEC	1000V/ μ SEC
Isolate impedance	10 ⁹ ohm							
Dielectric strength input-output	4000 VAC rms							
Dielectric strength input, output-case	4000 VAC rms							
Turn on time	Less 2m Sec							
Turn off time	LESS 1/2 AC cycle							
Frequency range	47 ~ 70Hz							
Operating temperature	-20 ~ 80							
Switching type	Z : Zero Cross				R : Random Switching			
Weight	400g							

RK Solid State Relay

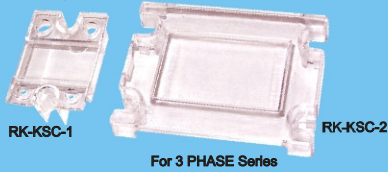


3.外觀尺寸(Unit:mm)

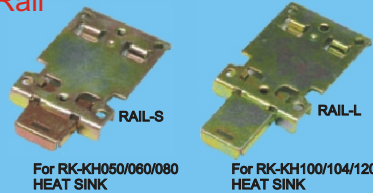


4.配件

Safety Cover



Rail



Heat Sink

Appearance	Size	Suitable specification	Appearance	Size	Suitable specification																														
RK-KH050 		<table border="1"> <thead> <tr> <th>Type</th> <th>Length(mm)</th> <th>Suitable SSR</th> </tr> </thead> <tbody> <tr> <td>RK-KH050-50</td> <td>50</td> <td>5A, 10A</td> </tr> </tbody> </table>	Type	Length(mm)	Suitable SSR	RK-KH050-50	50	5A, 10A	RK-KH100 		<table border="1"> <thead> <tr> <th>Type</th> <th>Length(mm)</th> <th>Suitable SSR</th> </tr> </thead> <tbody> <tr> <td>RK-KH100-45</td> <td>45</td> <td>40A</td> </tr> <tr> <td>RK-KH100-70</td> <td>70</td> <td>50A</td> </tr> <tr> <td>RK-KH100-100</td> <td>100</td> <td>75A</td> </tr> <tr> <td>RK-KH100-120</td> <td>120</td> <td>90A</td> </tr> <tr> <td>RK-KH100-150</td> <td>150</td> <td>100A</td> </tr> </tbody> </table>	Type	Length(mm)	Suitable SSR	RK-KH100-45	45	40A	RK-KH100-70	70	50A	RK-KH100-100	100	75A	RK-KH100-120	120	90A	RK-KH100-150	150	100A						
Type	Length(mm)	Suitable SSR																																	
RK-KH050-50	50	5A, 10A																																	
Type	Length(mm)	Suitable SSR																																	
RK-KH100-45	45	40A																																	
RK-KH100-70	70	50A																																	
RK-KH100-100	100	75A																																	
RK-KH100-120	120	90A																																	
RK-KH100-150	150	100A																																	
RK-KH060 		<table border="1"> <thead> <tr> <th>Type</th> <th>Length(mm)</th> <th>Suitable SSR</th> </tr> </thead> <tbody> <tr> <td>RK-KH060-50</td> <td>50</td> <td>10A, 15A</td> </tr> <tr> <td>RK-KH060-80</td> <td>80</td> <td>25A</td> </tr> <tr> <td>RK-KH060-100</td> <td>100</td> <td>40A</td> </tr> <tr> <td>RK-KH060-120</td> <td>120</td> <td>50A</td> </tr> <tr> <td>RK-KH060-150</td> <td>150</td> <td>75A</td> </tr> </tbody> </table>	Type	Length(mm)	Suitable SSR	RK-KH060-50	50	10A, 15A	RK-KH060-80	80	25A	RK-KH060-100	100	40A	RK-KH060-120	120	50A	RK-KH060-150	150	75A	RK-KH104 		RK-KH104 Series FOR 3 PHASE SSR <table border="1"> <thead> <tr> <th>Type</th> <th>Length(mm)</th> <th>Suitable SSR</th> </tr> </thead> <tbody> <tr> <td>RK-KH104-104</td> <td>104</td> <td>25A, 40A</td> </tr> <tr> <td>RK-KH104-120 (AND FAN)</td> <td>120</td> <td>50A</td> </tr> <tr> <td>RK-KH104-150 (AND FAN)</td> <td>150</td> <td>75A, 100A</td> </tr> </tbody> </table>	Type	Length(mm)	Suitable SSR	RK-KH104-104	104	25A, 40A	RK-KH104-120 (AND FAN)	120	50A	RK-KH104-150 (AND FAN)	150	75A, 100A
Type	Length(mm)	Suitable SSR																																	
RK-KH060-50	50	10A, 15A																																	
RK-KH060-80	80	25A																																	
RK-KH060-100	100	40A																																	
RK-KH060-120	120	50A																																	
RK-KH060-150	150	75A																																	
Type	Length(mm)	Suitable SSR																																	
RK-KH104-104	104	25A, 40A																																	
RK-KH104-120 (AND FAN)	120	50A																																	
RK-KH104-150 (AND FAN)	150	75A, 100A																																	
RK-KH080 		<table border="1"> <thead> <tr> <th>Type</th> <th>Length(mm)</th> <th>Suitable SSR</th> </tr> </thead> <tbody> <tr> <td>RK-KH080-50</td> <td>50</td> <td>25A</td> </tr> <tr> <td>RK-KH080-100</td> <td>100</td> <td>40A</td> </tr> <tr> <td>RK-KH080-150</td> <td>150</td> <td>50A</td> </tr> </tbody> </table>	Type	Length(mm)	Suitable SSR	RK-KH080-50	50	25A	RK-KH080-100	100	40A	RK-KH080-150	150	50A	RK-KH197 		RK-KH197 Series FOR 3 PHASE SSR <table border="1"> <thead> <tr> <th>Type</th> <th>Length(mm)</th> <th>Suitable SSR</th> </tr> </thead> <tbody> <tr> <td>RK-KH197-100</td> <td>100</td> <td>25A, 40A</td> </tr> </tbody> </table>	Type	Length(mm)	Suitable SSR	RK-KH197-100	100	25A, 40A												
Type	Length(mm)	Suitable SSR																																	
RK-KH080-50	50	25A																																	
RK-KH080-100	100	40A																																	
RK-KH080-150	150	50A																																	
Type	Length(mm)	Suitable SSR																																	
RK-KH197-100	100	25A, 40A																																	
RK-KH120 	<p>Size : 104mm X 80mm</p>	<table border="1"> <thead> <tr> <th>Type</th> <th>Length(mm)</th> <th>Suitable SSR</th> </tr> </thead> <tbody> <tr> <td>RK-KH120-80</td> <td>80</td> <td>25A, 40A</td> </tr> <tr> <td>RK-KH120-100</td> <td>100</td> <td>50A</td> </tr> <tr> <td>RK-KH120-120</td> <td>120</td> <td>75A</td> </tr> <tr> <td>RK-KH120-150</td> <td>150</td> <td>90A, 100A</td> </tr> </tbody> </table>	Type	Length(mm)	Suitable SSR	RK-KH120-80	80	25A, 40A	RK-KH120-100	100	50A	RK-KH120-120	120	75A	RK-KH120-150	150	90A, 100A																		
Type	Length(mm)	Suitable SSR																																	
RK-KH120-80	80	25A, 40A																																	
RK-KH120-100	100	50A																																	
RK-KH120-120	120	75A																																	
RK-KH120-150	150	90A, 100A																																	

Note: The good environment that this product needs to be used for dispersion the heat, there are special-purpose HEAT SINK in our company, quality is excellent, for the customer to select for use.