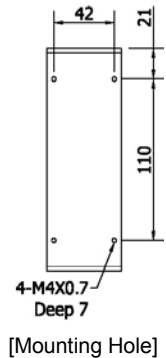
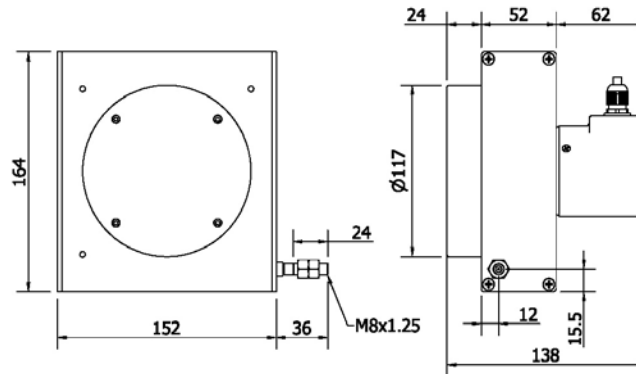


# EHP-SL1-R

## LINEAR WIRE POTENTIOMETER

- PRECISION ELECTRIC RESISTANCE SIGNAL OUTPUT
- SUITABLE FOR LONG MEASUREMENT RANGE



### ELECTRICAL SPEC.

Full Stroke (mm) 量測行程	3000, 4000, 5000, 6000, 8000
Sensor	Wire-wound and hybrid potentiometer
Output Signal Mode 輸出信號模式	Resistance (Potentiometer)
Resolution 解析	Essentially infinite
Linearity 線性度	[standard class] $\pm 0.25\%$ FS; [precision class] $\pm 0.1\%$ FS ( $\pm 1$ count)
Repeatability 重覆性	$\pm 0.02\%$ FS
Output Resistance 輸出電阻值	[standard class] 5K ohm $\pm 10\%$ FS; [precision class] 5K ohm $\pm 5\%$ FS
Power Rating (watts)	2 W at 40°C
Recommended Input Voltage 輸入電壓	30V (AC/DC) max., best voltage at 5 ~ 10 VAC/VDC

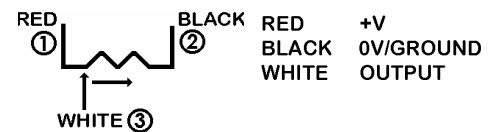
### MECHANICAL SPEC.

Wire Specification 線徑規格	Diameter: 1.0 mm SUS304 with nylon coating
Max. Travel Speed 最大往復速度	600 mm / sec.
Vibration 震動	10 Hz to 2000 Hz, 10 g
Cable 電線	$\varnothing 5.4$ , 100 cm long
Weight 重量	< 3,500 g
Starting Torque on Spring 拉力	$\leq 2,200$ g

### ENVIRONMENTAL SPEC.

Operating Temp. / Humidity 操作溫度/濕度	-20°C ~ 70°C
Storage Temp. 儲存溫度	-20°C ~ 80°C
Protection 保護等級	IP64: Dust & Dripping Proof (only for potentiometer housing)

### Electrical Connection



### ORDERING INFORMATION

<b>EHP-SL1</b>	<i>Measuring Range</i> 量測行程		<i>Signal Mode</i> 信號模式	<i>Life</i> 壽命及線性度
	30 : 3000 mm	60 : 6000 mm		
	40 : 4000 mm	80 : 8000 mm		
	50 : 5000 mm			
		R: Resistance 5K ohm		Blank: $1 \times 10^6$ cycles, linearity 0.25% FS *F: $5 \times 10^6$ cycles, linearity 0.1% FS *F25: $5 \times 10^6$ cycles, linearity 0.25% FS