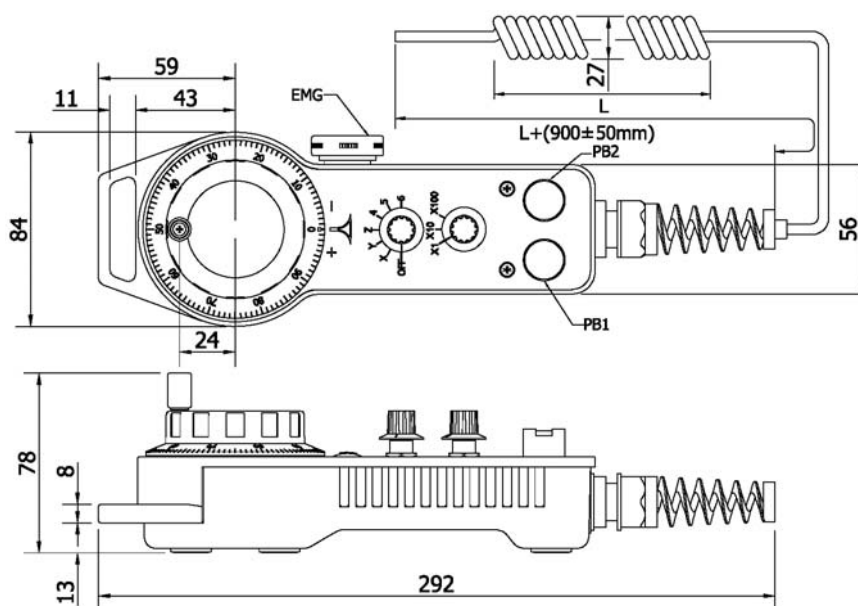




全功能配備型



### ELECTRICAL SPEC. - manual pulse generator

Detection System	Incremental 增量型
Output Wave 輸出波形	Square Wave 方波
Standard Number of Pulse Per Revolution 解析	25, 100
Output Phase 輸出相	AB phase
Electronics 電路特性	NPN Voltage 電壓型, NPN Open Collector 電流型 or Line Driver 差動式
Power Supply 供應電源	DC 8~26V, DC 5V fixed
Current Consumption 消耗電流	< 60 mA
Output Capacity 輸出容量	Sync. Current: 20 mA, Residual Voltage: 0.5V or less
Max. Response 最大響應頻率	10K Hz
Phase Different 相位差	A, B phase different 90°±45° (T/4±T/8)
Wave Form Rise / Fall 波形上下時間	2 μs or less

### MECHANICAL SPEC. - manual pulse generator

Shaft Loading 軸荷重	Axial 軸向: 1 Kg, Radial 徑向: 2 Kg
Starting Torque (at 25°C) 起動轉矩	260 g-cm
Max. Speed 最大機械容許速度	500 rpm (Maximum 瞬間容許速度); 200 rpm (Continuous 連續容許速度)
X.Y.Z. Vibration 震動	10 ~ 50 Hz / 1.5 mm X.Y.Z. 2hr)
Shock 衝擊	50 g per 11 ms
Rotational Life 回轉壽命	10 <sup>6</sup> cycles (200 rpm)
Weight 重量	≤ 1500 g

### ENVIRONMENTAL SPEC.

Operating Temp. / Humidity 操作溫度/濕度	-10°C ~ 60°C, RH 35% ~ 90% (No Condensation)
Storage Temp. 儲存溫度	-20°C ~ 80°C
Protection Grade 保護等級	IP 64

### SWITCHES SPEC. (max.)

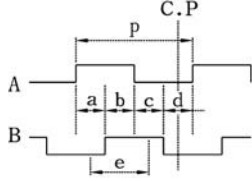
Rotary Switch		Push Button	Emergency Stop Switch	
Max. Voltage 最大電壓	28V AC/DC max.	AC250V 0.3A, AC 125V 5A	Contact Rating 接點	With AC Load AC250V 0.5A, Resistance AC125V 1.0A
Current 電流範圍	10 mA		With DC Load DC 30V 1.0A	
Operating Torque	0.005 ~ 0.02 Nm	DC 250V 0.1A, DC24V 5A		

# EHP-GA

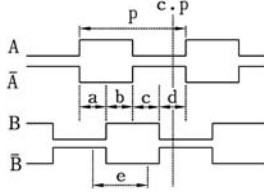
## PENDANT HAND-HELD

### OUTPUT WAVE FORM (Clockwise rotation is "CW Rotation" looked from the front side)

NPN Voltage / NPN Open Collector



Line Driver



- $P = 1 P/R$ ;  $a, b, c, d = P/4 \pm P/6$
- C.P= click point 停止點信號  
(For 25 P/R, C.P is at each position of a, b, c, d. 25 PPR 的停止點信號在 a, b, c, d 各個位置。)
- Point e is recommended as the system switching timing.  
e 點為建議信號讀取/切換的範圍。

### ELECTRICAL CONNECTION

DIAL BODY		COLOR of WIRE	FUNCTION
encoder	○	Brown 棕	+V
	○	Red 紅	0V
	○	Orange 橘	CH A
	○	Pink 粉紅	CH B
	○	Yellow 黃	CH /A
	○	Green 綠	CH /B

Axis Switch Selecting	COLOR of WIRE	POINT TO POINT	BINARY CODE TYPE (PNP)			BINARY CODE TYPE (NPN)				
			Purple	Blue	Light Green	Purple	Blue	Light Green		
○	Light Green 淺綠	OFF	OFF	0	0	0	OFF	1	1	1
○	Blue 藍	X	X	0	0	1	X	1	1	0
○	Purple 紫	Y	Y	0	1	0	Y	1	0	1
○	Gray 灰	Z	Z	0	1	1	Z	1	0	0
○	Blue/White 藍/白	4	4	1	0	0	4	0	1	1
○	Black 黑	5	5	1	0	1	5	0	1	0
		6	6	1	1	0	6	0	0	1

Rate Switch Selecting	COLOR of WIRE	POINT TO POINT	Red / White		Brown / White			
			Red / White	Brown / White	Red / White	Brown / White		
○	Brown/White 棕/白	X 1	X 1	0	0	X 1	1	1
○	Red/White 紅/白	X 10	X 10	0	1	X 10	1	0
○	Red/Black 紅/黑	X 100	X 100	1	0	X 100	0	1
○	Orange/White 橘/白	Switch Common						

Emergency Stop	COLOR of WIRE	FUNCTION	
			○
○	Black/White 黑/白	Emergency Common	
Push Button	○	Yellow/Black 黃/黑	Option PB1
	○	Green/White 綠/白	Option PB2
	○	Green/Black 綠/黑	Option PB Common

### ORDERING INFORMATION

<b>EHP-GA</b>	<b>Push Button Qty. 按鈕數量</b> A: With PB1 B: With PB1&PB2	<b>Push Button Action 按鈕設定</b> 1: Alternate 自保持 Normal Open 1A 2: Alternate 自保持 Normal Close 1B 3: Momentary 寸動 Normal Open 1A 4: Momentary 寸動 Normal Close 1B <i>[Standard] Alternate Action</i>	<b>Emergency Stop 緊急停止按鈕</b> E: With EMG Stop O: Without EMG Stop <i>[Standard] Alternate Action</i>	<b>Switch Function 旋鈕設定</b> P: Point to Point N: Binary Code (PNP) A: Binary Code (NPN) O: Without Switch	<b>Switch Axis 旋鈕軸數</b> 6: 6 Axes (OFF-X-Y-Z-4-5-6)	<b>Supporting Foot 腳墊</b> R: Rubber Legs *M: Magnet	<b>PPR 解析</b> A: 100 PPR B: 25 PPR	<b>Electronics 電路特性</b> V: NPN Voltage 8-26Vdc V5: NPN Voltage 5Vdc C: NPN Open-Collector 5-26V L: Line Driver 5Vdc *HL: Line Driver 5-26Vdc	<b>Cable 電線</b> S3: 3 m *S5: 5 m
---------------	--	--	---	---	--	---	--	---	--

「\*」 OPTION 選購規格