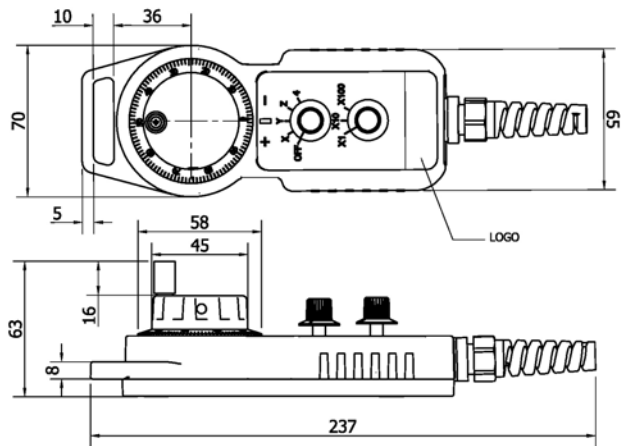
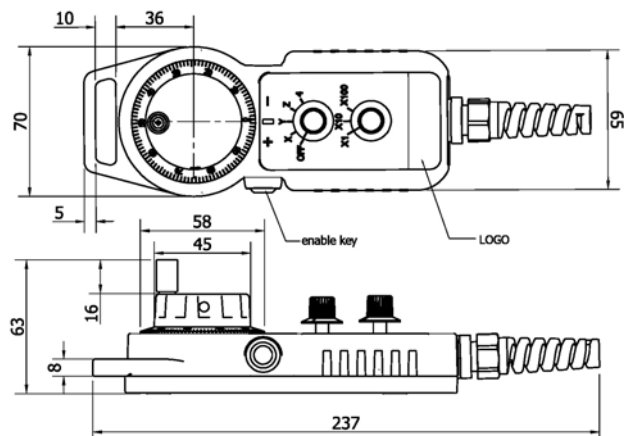


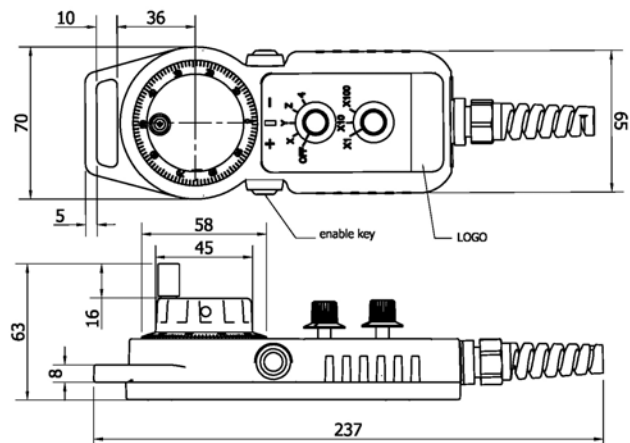
EHP-GC1



EHP-GC2



EHP-GC3



ELECTRICAL SPEC. – manual pulse generator

Detection System	Incremental 增量型
Output Wave 輸出波形	Square Wave 方波
Standard Number of Pulse Per Revolution 解析	25, 100
Output Phase 輸出相	AB phase
Electronics 電路特性	NPN Voltage 電壓型, NPN Open Collector 電流型 or Line Driver 差動式
Power Supply 供應電源	DC 8~26V, DC 5V fixed
Current Consumption 消耗電流	< 60 mA
Output Capacity 輸出容量	Sync. Current: 20 mA, Residual Voltage: 0.5V or less
Max. Response 最大響應頻率	10K Hz
Phase Different 相位差	A, B phase different $90^{\circ} \pm 45^{\circ}$ (T/4 \pm T/8)
Wave Form Rise / Fall 波形上下時間	2 μ s or less

MECHANICAL SPEC. – manual pulse generator

Shaft Loading 軸荷重	Axial 軸向: 1 Kg, Radial 徑向: 2 Kg
Starting Torque (at 25°C) 起動轉矩	200 g-cm
Max. Speed 最大機械容許速度	500 rpm (Maximum 瞬間容許速度); 200 rpm (Continuous 連續容許速度)
X.Y.Z. Vibration 震動	10 ~ 50 Hz / 1.5 mm X.Y.Z. 2hr
Shock 衝擊	50 g per 11 ms
Rotational Life 回轉壽命	10^6 cycles (200 rpm)
Weight 重量	\leq 1000 g

ENVIRONMENTAL SPEC.

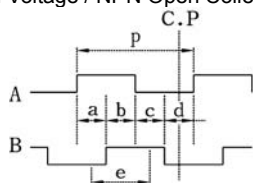
Operating Temp. / Humidity 操作溫度/濕度	-10°C ~ 60°C, RH 35% ~ 90% (No Condensation)
Storage Temp. 儲存溫度	-20°C ~ 80°C
Protection Grade 保護等級	IP 64

SWITCHES SPEC. (max.)

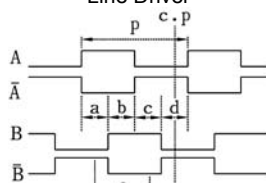
Rotary Switch		Enable Key	
Max. Voltage 最大電壓	28V AC/DC max.	With AC Load Resistance	AC125V 125 mA, AC32V 400 mA
Current 電流範圍	10 mA	With DC Load Resistance	DC 50V 100 mA
Operating Torque	0.005 ~ 0.02 Nm	Operating Torque	3N \pm 1N

OUTPUT WAVE FORM (Clockwise rotation is "CW Rotation" looked from the front side)

NPN Voltage / NPN Open Collector



Line Driver

• P = 1 P/R; a, b, c, d = P/4 \pm P/6• C.P = click point 停止點信號
(For 25 P/R, C.P is at each position of a, b, c, d.
25 PPR 的停止點信號在 a, b, c, d 各個位置。)• Point e is recommended as the system switching timing.
e 點為建議信號讀取/切換的範圍。

EHP-GC1

		COLOR of WIRE		FUNCTION			
DIAL BODY	encoder	Brown	棕	+V			
		Red	紅	0V			
		Orange	橘	CH A			
		Pink	粉紅	CH B			
		Yellow	黃	CH /A			
		Green	綠	CH /B			
Axis Switch Selecting		Light Green	淺綠	OFF			
		Blue	藍	X			
		Purple	紫	Y			
		Purple	紫	Z			
		Gray	灰	4			
Rate Switch Selecting		Brown/White	棕/白	X 1			
		Red/White	紅/白	X 10			
		Red/Black	紅/黑	X 100			
		Orange/White	橘/白	Switch Common			

POINT TO POINT		BINARY CODE TYPE (PNP)			BINARY CODE TYPE (NPN)		
		Purple	Blue	Light Green	Purple	Blue	Light Green
OFF		0	0	0	1	1	1
X		0	0	1	1	1	0
Y		0	1	0	1	0	1
Z		0	1	1	1	0	0
4		1	0	0	0	1	1

POINT TO POINT		BINARY CODE TYPE (PNP)		BINARY CODE TYPE (NPN)	
		Red / White	Brown / White	Red / White	Brown / White
X 1		0	0	1	1
X 10		0	1	1	0
X 100		1	0	0	1

EHP-GC2

		COLOR of WIRE		FUNCTION			
DIAL BODY	encoder	Brown	棕	+V			
		Red	紅	0V			
		Orange	橘	CH A			
		Pink	粉紅	CH B			
		Yellow	黃	CH /A			
		Green	綠	CH /B			
Axis Switch Selecting		Light Green	淺綠	OFF			
		Blue	藍	X			
		Purple	紫	Y			
		Purple	紫	Z			
		Gray	灰	4			
Rate Switch Selecting		Brown/White	棕/白	X 1			
		Red/White	紅/白	X 10			
		Red/Black	紅/黑	X 100			
		Orange/White	橘/白	Switch Common			
Enable Key		Blue/White	藍/白	Enable Key Common			
		Black	黑	Enable Key Contact			

POINT TO POINT		BINARY CODE TYPE (PNP)			BINARY CODE TYPE (NPN)		
		Purple	Blue	Light Green	Purple	Blue	Light Green
OFF		0	0	0	1	1	1
X		0	0	1	1	1	0
Y		0	1	0	1	0	1
Z		0	1	1	1	0	0
4		1	0	0	0	1	1

POINT TO POINT		BINARY CODE TYPE (PNP)		BINARY CODE TYPE (NPN)	
		Red / White	Brown / White	Red / White	Brown / White
X 1		0	0	1	1
X 10		0	1	1	0
X 100		1	0	0	1

EHP-GC3

		COLOR of WIRE		FUNCTION			
DIAL BODY	encoder	Brown	棕	+V			
		Red	紅	0V			
		Orange	橘	CH A			
		Pink	粉紅	CH B			
		Yellow	黃	CH /A			
		Green	綠	CH /B			
Axis Switch Selecting		Light Green	淺綠	OFF			
		Blue	藍	X			
		Purple	紫	Y			
		Gray	灰	Z			
				4			
Rate Switch Selecting		Brown/White	棕/白	X 1			
		Red/White	紅/白	X 10			
		Red/Black	紅/黑	X 100			
		Orange/White	橘/白	Switch Common			
Enable Key		Blue/White	藍/白	Enable Key Common			
		Black	黑	Enable Key Contact			

POINT TO POINT		BINARY CODE TYPE (PNP)			BINARY CODE TYPE (NPN)		
		Purple	Blue	Light Green	Purple	Blue	Light Green
OFF		0	0	0	1	1	1
X		0	0	1	1	1	0
Y		0	1	0	1	0	1
Z		0	1	1	1	0	0
4		1	0	0	0	1	1

	Red / White	Brown / White
X 1	0	0
X 10	0	1
X 100	1	0

	Red / White	Brown / White
X 1	1	1
X 10	1	0
X 100	0	1

ORDERING INFORMATION

Series Type 系列型號	Switch Function 旋鈕設定	Switch Axis 旋鈕軸數	Supporting Foot 腳墊	PPR 解析	Electronics 電路特性	Cable 電線	Logo 銘板
EHP-GC1	P: Point to Point	4: 4 Axes (OFF-X-Y-Z-4)	R: Rubber Legs	A: 100 PPR B: 25 PPR	V: NPN Voltage 8~26Vdc V5: NPN Voltage 5Vdc C: NPN Open-Collector 5~26V L: Line Driver 5Vdc *HL: Line Driver 5~26Vdc	S2: 2 m	A: None B: Mytech standard *XH: customized
EHP-GC2	N: Binary Code (PNP) A: Binary Code (NPN)						
EHP-GC3	O: Without Switch						

「*」 OPTION 選購規格