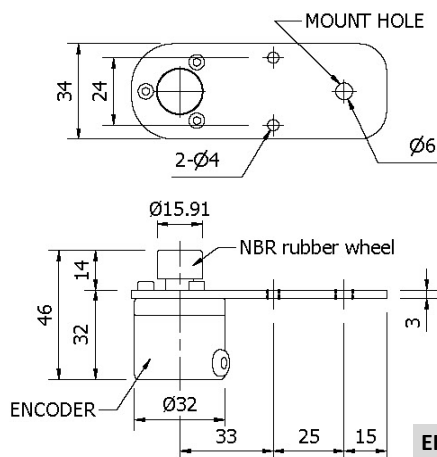


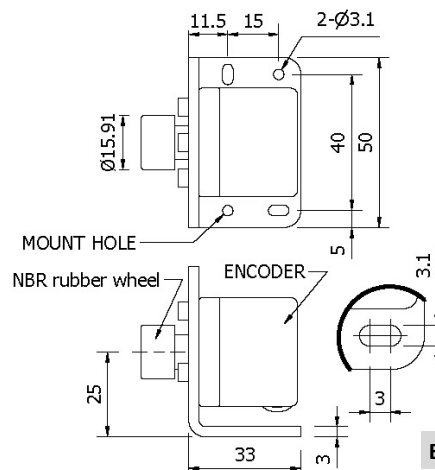
- Meter Wheel Encoder
- Small Size Wheel
- NPN Voltage, NPN Open Collector



DIMENSION



EHT-RMWB-1-A



EHT-R-MWB-1-B

ORDERING INFORMATION

EHT-RMWB - Bracket
固定架樣式
1-A - Resolution
解析
1, 0.5, 0.2, 0.1, 0.05 mm/pulse - 2 - Electronics
電路特性
LV: NPN Voltage 5-12Vdc
HV: NPN Voltage 10-26Vdc
C: NPN Open-Collector 5-26Vdc

ELECTRICAL SPEC.

Detection System	Incremental 增量型
Output Wave 輸出波形	Square Wave 方波
Standard Resolution 解析	1, 0.5, 0.2, 0.1, 0.05 mm/pulse
Output Phase 輸出相	AB phase
Electronics 電路特性	NPN Voltage 電壓型, NPN Open Collector 電流型
Power Supply 供應電源	DC 5~12V or DC 10~26V for NPN Voltage, DC 5~26V for NPN Open Collector
Current Consumption 消耗電流	≤ 60 mA
Output Capacity 輸出容量	Sync. Current: 20 mA, Residual Voltage: 0.5V or less
Max. Response 最大響應頻率	100K Hz
Phase Different 相位差	A, B phase different 90°±45° (T/4±T/8)
Wave Form Rise / Fall 波形上下時間	2 μs or less/1 m Cable Long
Polarity 極性保護	Against Reverse Protection

MECHANICAL SPEC.

Type of wheel 輪子種類	Rubber 橡膠
Wheel Circle Length 輪周長	50 mm +/- 0.1%
Shaft Loading 軸荷重	Axial 軸向: 0.5 Kg, Radial 徑向: 1 Kg
Max. Speed	1 m / sec.
Vibration 震動	10g (10±1,500 Hz)
Shock 衝擊	20g per 11 ms
Cable 電線	Ø4.5, 1000 mm long
Weight 重量	≤ 200g

ENVIRONMENTAL SPEC.

Operating Temp. / Humidity 操作溫度/濕度	0°C ~ 60°C, RH 35% ~ 90% (No Condensation)
Storage Temp. 儲存溫度	-20°C ~ 70°C
Protection 保護等級	IP50: Dust Proof