

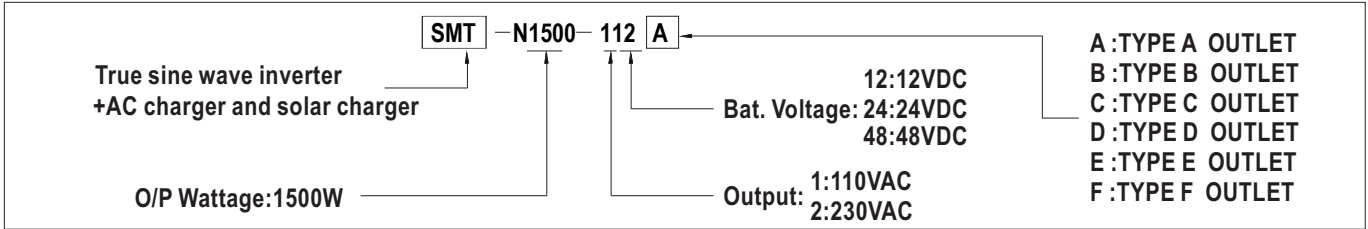


■ Features :

- True sine wave output (THD<3%)
- High surge power up to 3000W
- U.P.S. mode and energy saving mode (selectable)
- High efficiency up to 91%
- Power ON-OFF switch
- Standby saving mode can be selectable
- Front panel indicator for operation status
- Thermostatically controlled cooling fan
- Protections: Bat. low alarm / Bat. low shutdown / Over voltage / Over temp. / Output short / Input polarity reverse / Overload / AC circuit breaker
- Application : Home appliance, power tools, office and portable equipment, vehicle and yacht ...etc.
- Built-in solar / AC charger
- Computer-based monitoring software (Note.7)
- 3 years warranty

SPECIFICATION

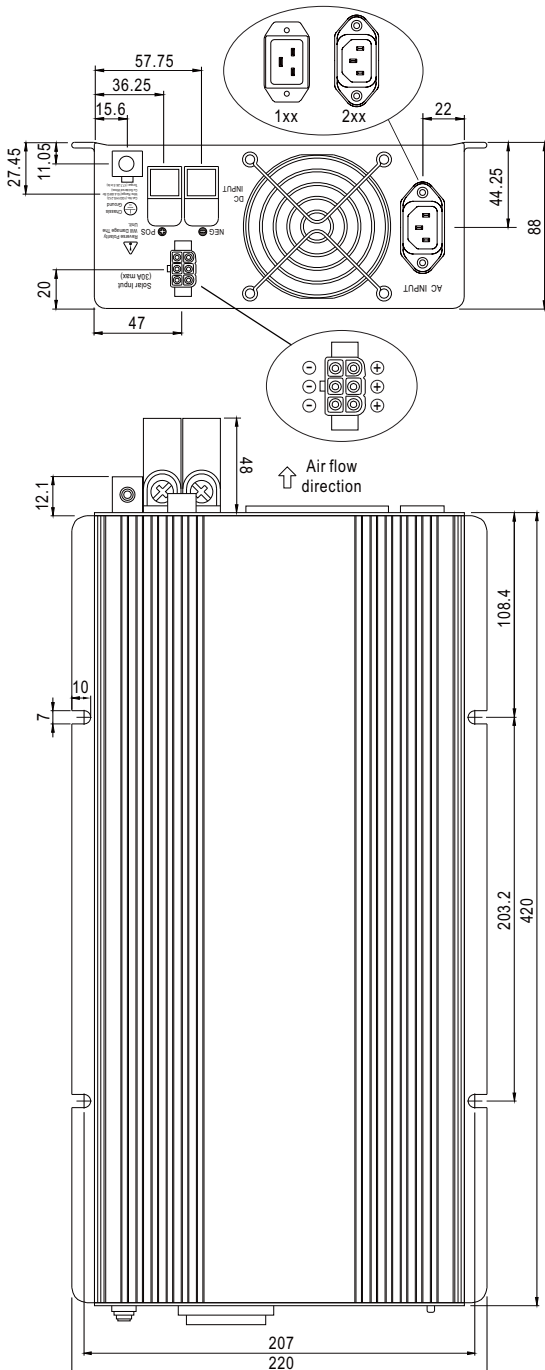
MODEL	SMT-N1500-112	SMT-N1500-124	SMT-N1500-148	SMT-N1500-212	SMT-N1500-224	SMT-N1500-248			
OUTPUT	RATED POWER (Typ.)						1500W		
	MAXIMUM OUTPUT POWER (Typ.)						1725W for 180 sec. / 1875W for 10 sec. / surge power 3000W for 30 cycles		
	AC VOLTAGE			Factory setting set at 110VAC			Factory setting set at 230VAC		
	100 / 110 / 115 / 120VAC selectable by setting button S.W						200 / 220 / 230 / 240VAC selectable by setting button S.W		
	FREQUENCY						60±0.1Hz 50/60Hz selectable by setting button S.W		
	50±0.1Hz 50/60Hz selectable by setting button S.W								
	WAVEFORM Note.2						True sine wave (THD<3%)		
	AC REGULATION (Typ.)						±3.0%		
TRANSFER TIME (Typ.)						10ms inverter → by pass			
SAVING MODE (Typ.)						Default disabled. Load ≤5W will be changed to standby mode			
FRONT PANEL INDICATOR						Battery voltage level, output load level, saving mode, fault and operation status			
INPUT	BAT. VOLTAGE		12V	24V	48V	12V	24V	48V	
	VOLTAGE RANGE (Typ.) Note.3,6		10.5 ~ 15VDC	21 ~ 30VDC	42 ~ 60VDC	10.5 ~ 15VDC	21 ~ 30VDC	42 ~ 60VDC	
	DC CURRENT (Typ.) Note.5		150A	75A	37.5A	150A	75A	37.5A	
	NO LOAD DISSIPATION (Typ.)						≤18W @ standby saving mode		
	OFF MODE CURRENT DRAW						≤1mA		
	EFFICIENCY (Typ.) Note.2		87%	89%	89%	88%	90%	91%	
	BATTERY TYPES						Open & sealed Lead Acid		
BATTERY INPUT PROTECTION	FUSE		40A*5	30A*3	30A*2	40A*5	30A*3	30A*2	
	BAT. LOW ALARM		11.3±4%	22.5±4%	45±4%	11.3±4%	22.5±4%	45±4%	
	BAT. LOW SHUTDOWN		10.5±4%	21±4%	42±4%	10.5±4%	21±4%	42±4%	
	REVERSE POLARITY						By internal fuse open		
OUTPUT PROTECTION	OVER TEMPERATURE		82°C ±5°C	82°C ±5°C	96°C ±5°C	68°C ±5°C	68°C ±5°C	68°C ±5°C	
	Protection type : Shut down o/p voltage, re-power on to recover ; by internal RTH3 detect on heatsink of power transistor								
	OUTPUT SHORT						Protection type : Shut down o/p voltage, re-power on to recover		
	OVER LOAD (Typ.)		105 ~ 115% load for 180 sec., 115% ~ 125% load for 10 sec.						
	Protection type : Shut down o/p voltage, re-power on to recover								
CIRCUIT BREAKER		15A			10A				
GFCI PROTECTION		Optional (Only type F)			None				
ENVIRONMENT	WORKING TEMP. Note.1		0 ~ +40°C @ 100% load ; 60°C @ 50% load						
	WORKING HUMIDITY						20% ~ 90% RH non-condensing		
	STORAGE TEMP., HUMIDITY						-30 ~ +70°C / -22 ~ +158°F, 10 ~ 95% RH		
	VIBRATION						10 ~ 500Hz, 3G 10min./1cycle, 60min. each along X, Y, Z axes		
SAFETY & EMC	SAFETY STANDARDS						UL458 (only for "GFCI" receptacle-Type F) None		
	LVD		None			EN60950-1			
	WITHSTAND VOLTAGE						Bat I/P - AC I/P:3.0KVAC Bat I/P - AC O/P:3.0KVAC AC O/P - FG:1.5KVAC		
	EMC EMISSION			Compliance to FCC class A			Compliance to EN55022 class B, 72/ 245/ CEE, 95/ 54/ CE, E-Mark		
	EMC IMMUNITY						Compliance to EN61000-4-2,3,4,5,6,8,11		
AC CHARGER	CHARGE CURRENT (Typ.)		5.5A	2.7A	1.35A	5.5A	2.7A	1.35A	
	CHARGE VOLTAGE		14.3V ±4%	28.5V ±4%	57V ±4%	14.3V ±4%	28.5V ±4%	57V ±4%	
	MAX OPEN CIRCUIT VOLTAGE		25V	45V	75V	25V	45V	75V	
SOLAR CHARGER	CHARGE CURRENT (max.)		30A						
	CHARGE VOLTAGE		14.3V ±4%	28.5V ±4%	57V ±4%	14.3V ±4%	28.5V ±4%	57V ±4%	
OTHERS	CONTROL WIRING Note.7		RJ11 -RS232						
	DIMENSION		420*220*88mm (L*W*H)						
	PACKING		6.85Kg; 2pcs/15.7Kg/1.61CUFT						
NOTE	<p>1.Output derating capacity referenced by curve 1. 2.THd and Efficiency is tested by 1000W, linear load at 13V, 26V, 52V input voltage. 3.Input derating capacity referenced by curve 2. 4.All parameters not specified above are measured at rated load, 25°C of ambient temperature and set to factory setting. 5.DC current is tested by 1500W, linear load at 13V, 26V, 52V input voltage. 6.The tolerance of each voltage value by models is:112/212→±0.5V;124/224→±1V;148/248→±2V. 7.The cable is enclosed for the connection between TN-1500 and computer for software monitoring.</p>								



AC Output Receptacles (optional)

Receptacle type	TYPE-A	TYPE-B	TYPE-C	TYPE-D	TYPE-E	TYPE-F
Country	USA	EUROPE	AUSTRALIA	U.K	JAPAN	GFCI
Certificate	FC	E13 CE	E13 CE	E13 CE	FC	UL US (Except for 48V input) FC

Mechanical Specification



Derating Curve

