

Features

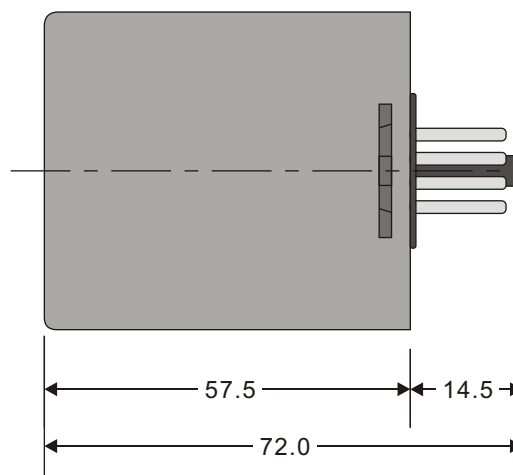
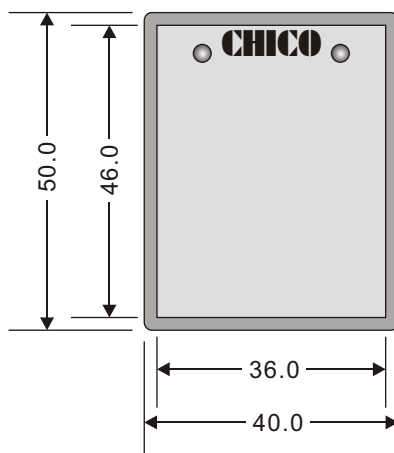
- Power supply for proximity and photoelectric switches.
- Without change DIP switch, can use for PNP or NPN type proximity switches.
- With DCV stabilizing device.



Specifications

Type	PT-A1	PT-A2
Rated voltage	110V	220V
Output voltage	DC12V	DC24V
Contact rating	5A 250VAC	
Indicator operating	ON-UP two indicator lamp	
Output contact	1C 5A	
Mechanical life	5x10 ⁶ times	
Electrical life	10 ⁵ times	
Consumed power	2 VA	
Ambient temperature	-10 ~ +55	
Ambient humidity	45 ~ 85%RH	
Weight	130g	
Dimension	50H x 40W x 57.5D(mm)	

Dimensions (Unit:mm)



Connection

CONTACT RATING : 5A 250VAC
RESISTIVE LOAD

