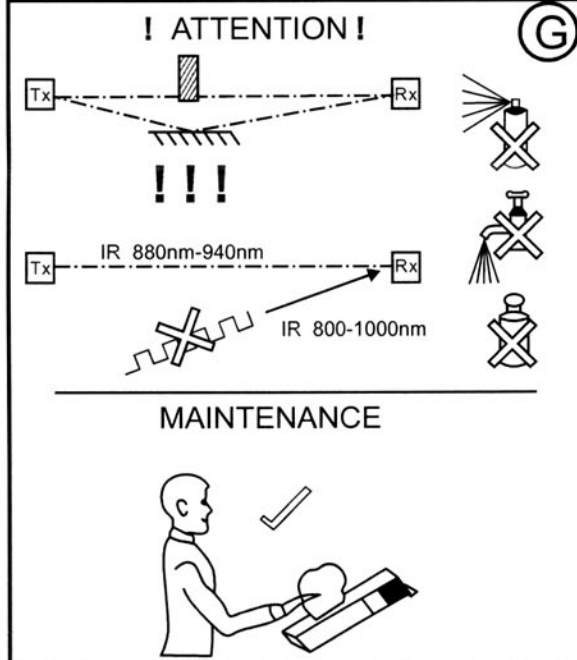
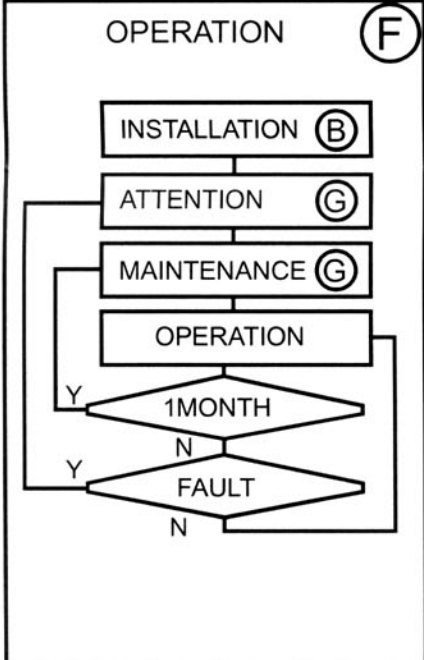
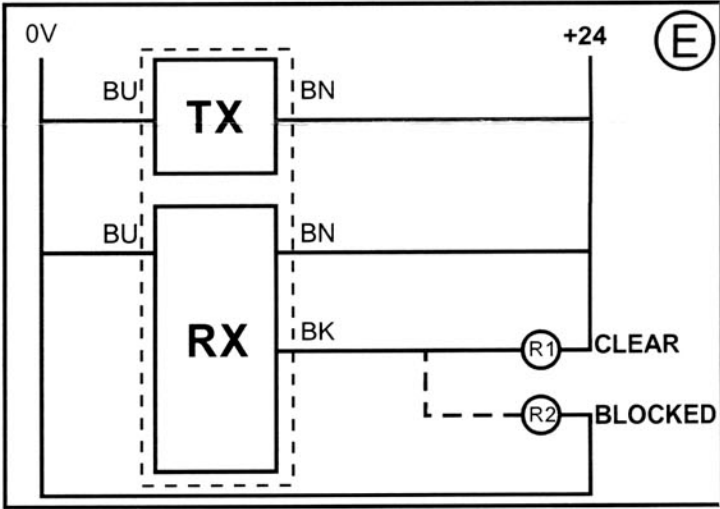


ACCESSORIES
Bracket N-001

This device may not be suitable for use in safety related applications

SPECIFICATION	
Number of beams	2,3,4
Object detection	60,70,80mm
Detection zone	110mm - 250mm
Range	0.5-2.5m
Light type	Infra-Red 880nm
Response time	20ms
Operating temperature	0°C to +70°C
Light curtain enclosure	IP65 (HxWxD) Hx33x29
Status indicators TX	yellow=power
Status indicators RX	red=blocked green=clear yellow=power
Power supply requirement	22-28V DC ripple<10% Diode protected
Current consumption	30mA per 4 beams
Light curtain connection	2.5m cables connected to both TX & RX units
Finish	Anodised aluminium
Classification	CE mark
Warranty	1 years
Outputs	Hi 24V+20mA , Low 0V - 40mA

Model List					
Model Number	Number of Beams	Detection zone mm	Object detection	Length mm	
PNC-70-02	2	113	70	149	
PNC-70-03	3	183	70	219	
PNC-70-04	4	253	70	289	



REPAIR
DISPOSAL

SUPPLIER

USE → SUPPLIER