

# PRK5 Micro-sized Flat Photo Sensor



## Features

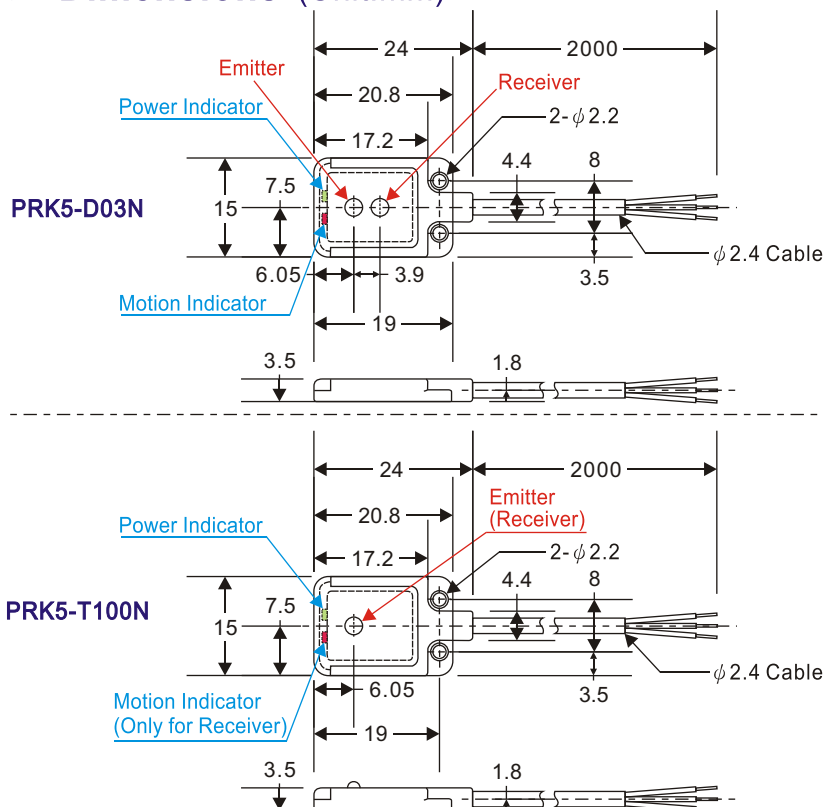
- Ultra slim body (only 3.5mm thickness). Easy to be mounted.
- Built-in amplifier, supply voltage DC12~24V. To control output directly.
- Transistor output 100mA
- High-speed response time : 0.5ms.
- Visible dual LED indications.



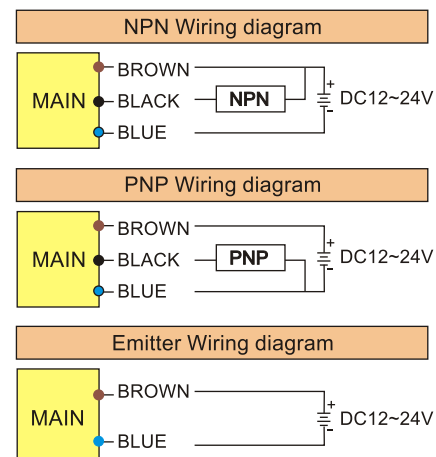
## Specifications

Type	NO	PRK5-D03N	PRK5-D03P	PRK5-T100N	PRK5-T100P
	NC	PRK5-D03N2	PRK5-D03P2	PRK5-T100N2	PRK5-T100P2
Sensing type	Diffuse reflection 擴散射反式			Through beam 對照式	
Sensing distance	3 cm			1M	
Emitting light	Red LED 632 nm			Infrared LED 940 nm	
Operating voltage	12 ~ 24VDCV±10% (Ripple P-P : 10% Max.)				
Current consumption	15mA max.			15mA max.	
Load current	100mA Max. at DC24V				
Output type	NPN		PNP		PNP
Protection circuit	Reversed supply circuit protection, short circuit protection output				
Response time	0.5 ms Max.				
Insulation resistance	20MΩ Min. (DC500V)				
Voltage withstandability	AC1000V 60Hz for 60 Sec.				
Operating temperature	-10 ~ +45°C (No freezing allowed)				
Ambient humidity	35% ~ 85%RH (No freezing allowed)				
Protection degree	IP64				
Housing material	ABS				
Wiring method	φ 2.4 x 2M / 3-wires			RX : φ 2.4 x 2M / 3-wires TX : φ 2.4 x 2M / 2-wires	
Weight	Approx. 20g			Approx. 40g	

## Dimensions (Unit:mm)



## Wiring diagram



## Applications

