

# PSX Limited Distance Reflex Type Photo Sensor

## Features

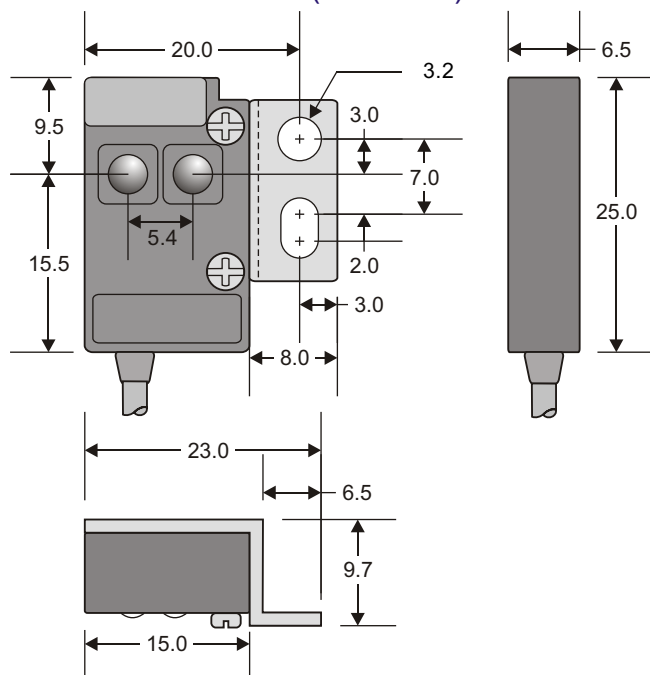
- Limited distance reflex type.
- Mini-plate outline.
- Mirror interruption immunized  
PSX-D03N less than 100mm  
PSX-D05N less than 200mm



## Specifications

Type	型 號	Limited distance reflex	
		PSX-D03N	PSX-D07N
Sensing distance	檢測距離	3 cm	7 cm
Emitter	發射光源	Red LED	Infrared LED
Hysteresis	應 差	20% of sensing distance Max.	
Response time	應答時間	1ms Max.	
Operating voltage	工作電壓	10 ~ 30VDC	
Ripple of power	電壓漣波	20% peak to peak	
Current consumption	耗 電 流	15mA Max.	
Pilot LED	指 示 燈	Green : Power pilot ; Yellow : Operating pilot	
Output method	輸出方式	NPN open collector	
Output status	輸出狀態	NO	
Output current	輸出電流	150mA Max.	
Residual voltage	殘留電壓	0.1V Max.	
Leakage current	洩漏電流	0.8mA Max.	
Illumination	耐外亂光	Sunlight < 20000 Lux ; Lamplight < 5000 Lux	
Protection circuit	保護電路	Short circuit & polarity reversed protection	
Lead wire	出線長度	3c / 3.0 x 3M	
Dielectric strength	耐壓強度	1kv / 1 minute Min.	
Insulation strength	絕緣強度	100M / 500VDC	
Op. circumstance	工作環境	-20 ~ +80 ; 35% ~ 85% RH	
Protection class	保護等級	IP 65	

## Dimensions (Unit:mm)



## Connection diagram

