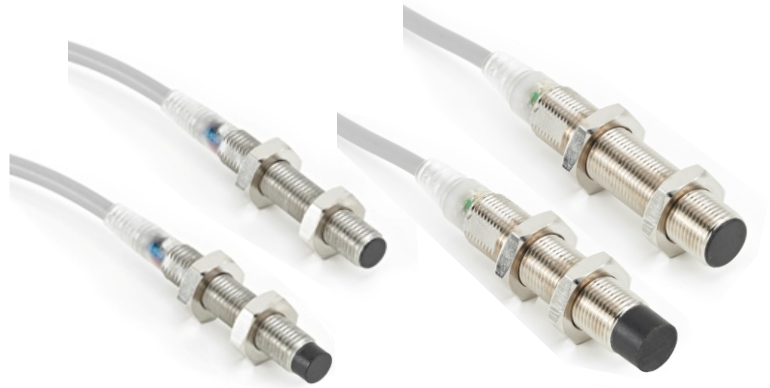


Features

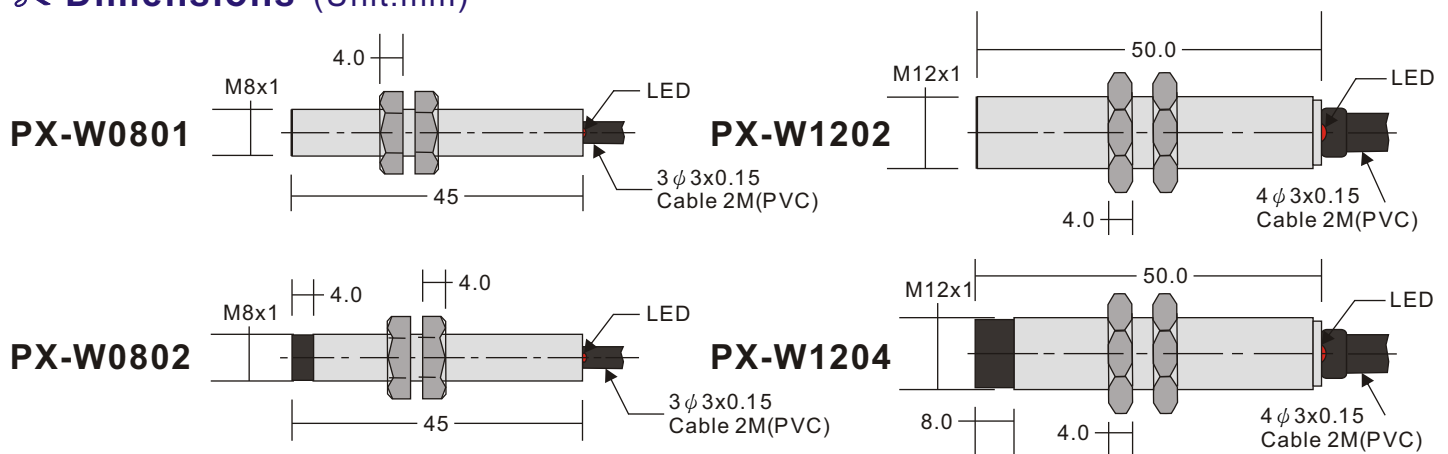
- The sensing distance is from 1mm to 4mm.
- M8, M12 cylindrical housing .
- Wide operating voltage range 10~30 VDC.



Specifications

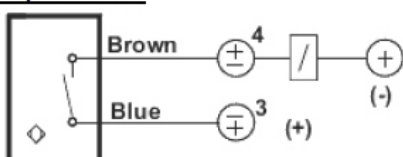
Type		PX-W08		PX-W12	
Output method	N.O.	PX-W0801D	PX-W0802D	PX-W1202D	PX-W1204D
	N.C.	PX-W0801D2	PX-W0802D2	PX-W1202D2	PX-W1204D2
Sensing distance		1 mm	2 mm	2 mm	4 mm
Sensor housing material		Chrome plated brass			
Sensor face material		PBT plastic			
Response time		0.1ms/0.1ms			0.2ms/0.2ms
Switching frequency		2KHz			1KHz
Operating voltage		10~30VDC			
Max. Load current		200mA			
Voltage drop		< 1.5V			
Ripple		< 10%			
Leakage current		< 1.2mA		< 0.8mA	
Switching hysteresis		< 15%(Sr)			
Repeat accuracy		< 1.0%(Sr)			
Temperature drift		< 10%(Sr)			
Short circuit protection		Yes			
Time delay before availability		< 10ms			
Operating temperature		-25°C~+70°C			
Degree of protection		IP 67			
Weight		Approx.40g		Approx.67g	Approx.65g

Dimensions (Unit:mm)



Connection

NPN/PNP N.O.



NPN/PNP N.C.

