

PZ- L Laser Sensor



Features

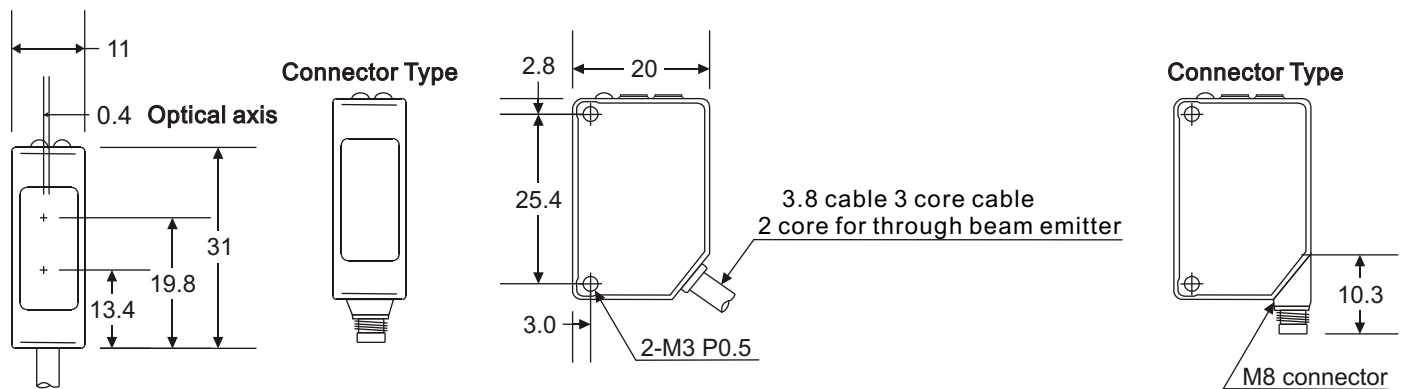
- The laser light source projects a 2 mm spot at 400mm distance (Diffuse mode).
- 30 meter sensing distance(Thru-beam type), fast 250 μ sec. response time.
- Water-tightness is tested to IP67.
- M8 QD types are available.



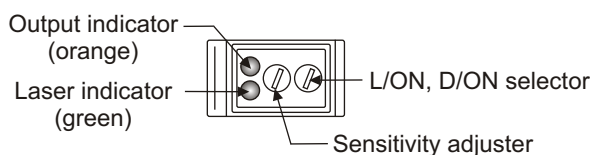
Specifications

Item		Through Beam	Retro reflective	Diffused reflective
2m Cable Type	NPN	PZ-TL30MN	PZ-RL10MN	PZ-DL40N
	PNP	PZ-TL30MP	PZ-RL10MP	PZ-DL40P
M8 connector type	NPN	PZ-TL30MCN	PZ-RL10MCN	PZ-DL40CN
	PNP	PZ-TL30MCP	PZ-RL10MCP	PZ-DL40CP
Supply voltage		DC10~30V Inc. 10% ripple		
Current consumption		30mA max.	20mA max.	
Sensing range		30 meter	10 meter	400 mm
Sport size		30mm/30m	10mm/8m	2mm/400mm
Response time		0.25ms		
Hysteresis		-		20%
Operation temp.		-10 ~ +50		
Operating humidity		35 ~ 85%		
Storage temp. / humidity		-25 ~ +70 / 35 ~ 95%		
Vibration		10 ~ 55Hz width 1.5mm		
Shock resistance		50G (500m/s ²)		
Protection category		IP67		
Emitter		Laser (650nm)		
Laser class		Class 1	Class 2	Class 2
Indication output		Orange (Yellow) LED		
Power		Green LED		
Sensitivity adjustment		1 turn		
Mode selection		D on/ L on selectable by switch		
Connection		2m cable / M8 connector		

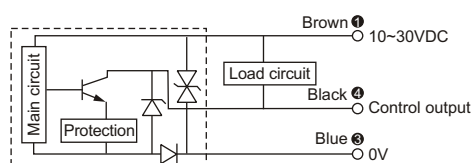
Dimensions (Unit:mm)



Circuit diagram



NPN output



Emitter of Thru-beam type

