

I-7520A:

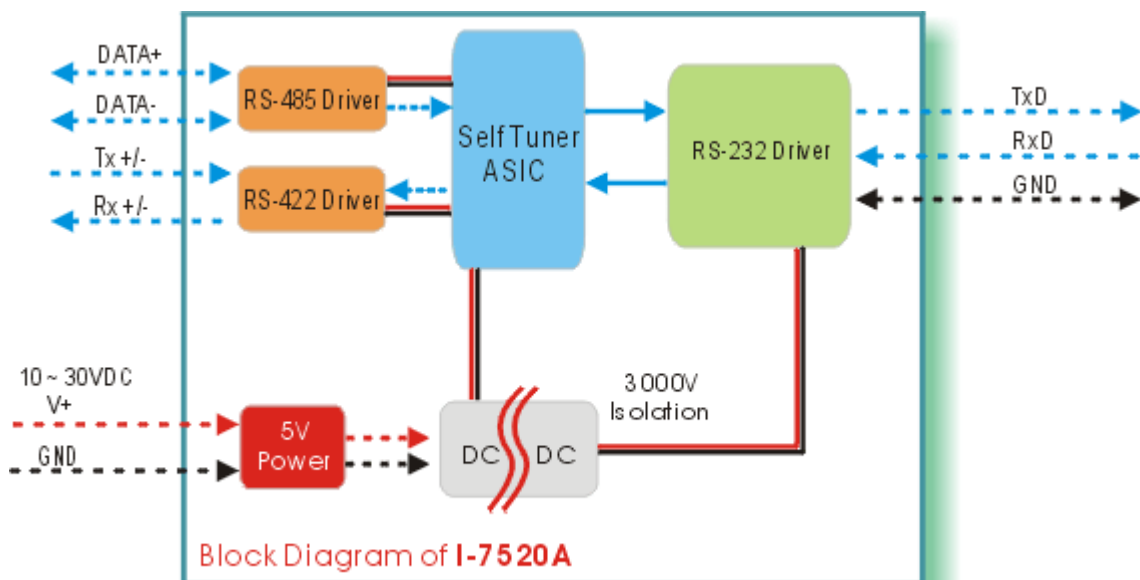
Pin Assignment and Specifications:



7520A: RS-232 to RS-422/485 Converter

- Protocol: RS-422/485
- Connector: plug-in screw terminal block
- Speed: "Self Tuner" inside, auto switching baud rate, from 300 to 115200 BPS
- 256 modules max in one RS-485 network without repeater
- 2048 modules max in one RS-485 network with repeater
- Option jumper for 120 ohm termination resistor
- Isolation voltage: 3000V
- Isolation site: RS-232
- Repeater request: 4,000 feet or over 256 modules
- Power requirements: +10V to +30VDC Power consumption: 2.2W(Max)

Block Diagram:



The I-7520A has three different output types

Selecting the I-7520A output type.

NOTE: The RS-422 and RS-485 output types couldn't be used simultaneously, which means that you can only select 1 type to output.

Type 1: 1-channel RS-485 output.

Type 2: 1-channel RS-422 output.

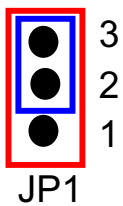
Type 3: 2-channel RS-485 output. (Support star network)

RS422/485 Output Jumpers settings:

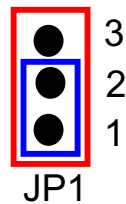
For type 1: Set the JP1 jumper to positions 1 and 2.

For type 2: Set the JP1 jumper to positions 1 and 2.

For type 3: Set the JP1 jumper to positions 2 and 3.

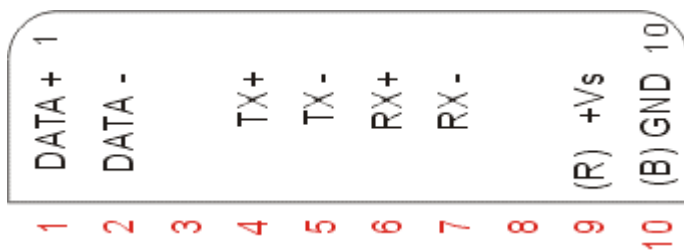


Types 1 and 2:
Default setting
RS-422 or RS-485



Type 3:
2-channel RS-485

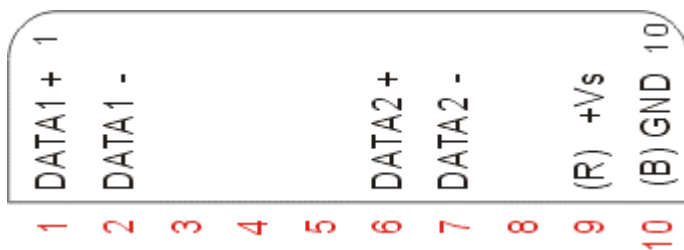
Pin Assignment For type1 and type2:



RS-485 Pin define:
DATA+ and DATA-

RS-422 Pin define:
TX+, TX-, RX+ and RX-

Pin Assignment For type3:



Channel one Pin define:
DATA1+ and DATA1-

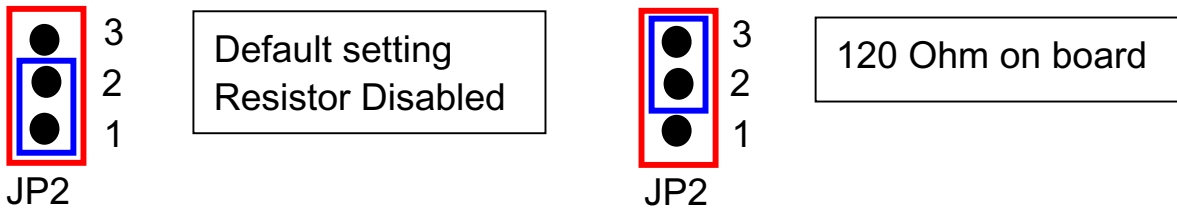
Channel two Pin define:
DATA2+ and DATA2-

The I-7520A is designed with a Termination resistor on board

Enable/Disable the resistor jumper for channel 1:

To disable the resistor: Set the JP2 jumper to positions 1 and 2.

To enable the resistor: Set the JP2 jumper to positions 2 and 3.



Enable/Disable the resistor jumper for channel 2:

To disable the resistor: Set the JP3 jumper to positions 1 and 2.

To enable the resistor: Set the JP3 jumper to positions 2 and 3.

