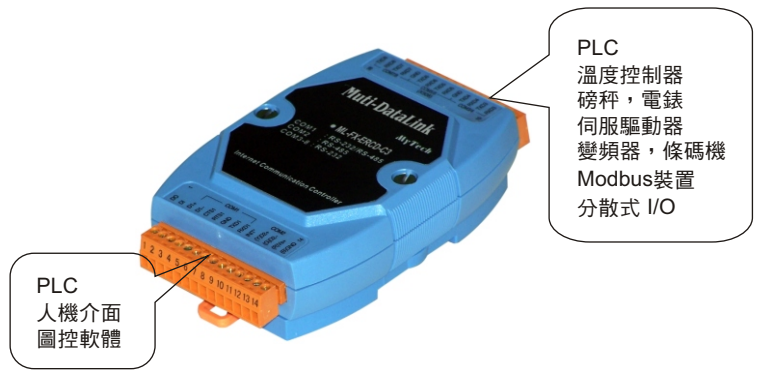


■ Features

- ML-1 提供RS-232x1組、RS485x1組
- ML-2 提供RS-232x2組、RS485x1組
- ML-3 提供RS-232x3組、RS485x1組
- ML-4 提供RS-232x4組、RS485x1組
- ML-7 提供RS-232x7組、RS485x1組
- 提供多組裝置，數據、資料連結



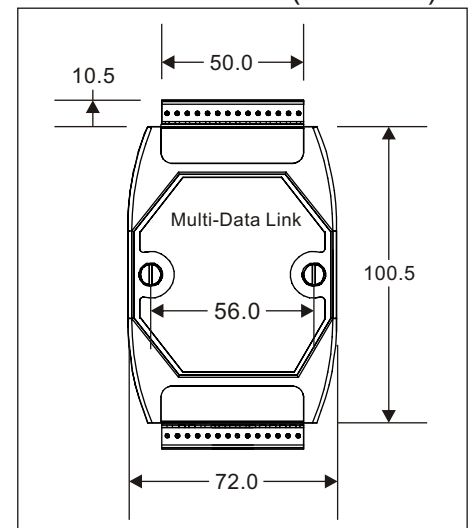
■ Specifications

Type	ML-1	ML-2	ML-3	ML-4	ML-7
COM1 Port	RS-232/ RS-485	RS-232/ RS-485	RS-232/ RS-485	RS-232/ RS-485	RS-232/ RS-485
COM2 Port	RS-485	RS-485	RS-485	RS-485	RS-485
COM3 Port	—	RS-232	RS-232	RS-232	RS-232
COM4 Port	—	—	RS-232	RS-232	RS-232
COM5 Port	—	—	—	RS-232	RS-232
COM6 Port	—	—	—	—	RS-232
COM7 Port	—	—	—	—	RS-232
COM8 Port	—	—	—	—	RS-232
Communication speed	115.2K Bps max.				
Operating temperature	-25°C to +75°C				
Storage temperature	-40°C to +80°C				
Dimensions	123mm x 72mm x 33mm				
Power requirement	Unregulated 10~30VDC Power				
Power consumption	2W				

■ Type : ML-device -device

NO.	RS-232 device	NO.	RS-232 device
1	One	4	Four
2	Two	7	Seven
3	Three		

■ Dimensions (Unit:mm)



■ Applications

