

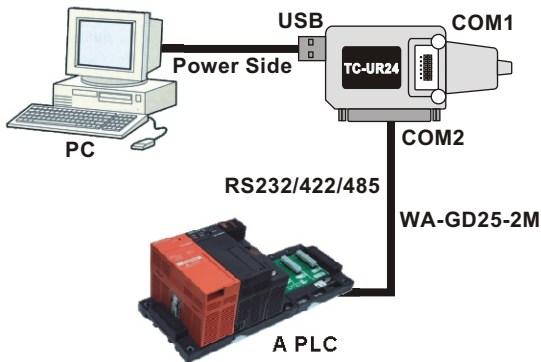
Features

- USB(PC) to RS232/422/485(COM2)
- RS232(COM1) to RS422/485(COM2)
- Bus powered from USB or PLC port
- On-chip oscillator using one 12 MHz crystal
- Double data buffer supporting two-way data transfer
- Two LEDs Display the power and communicate status
- USB drivers running under WinXP, Win2000, WinME and Win98

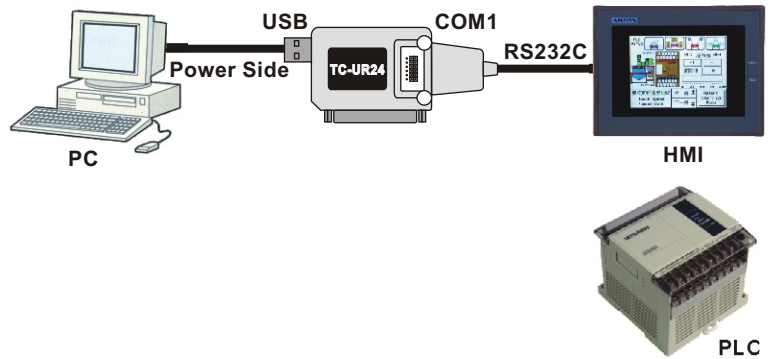


Connecting System:

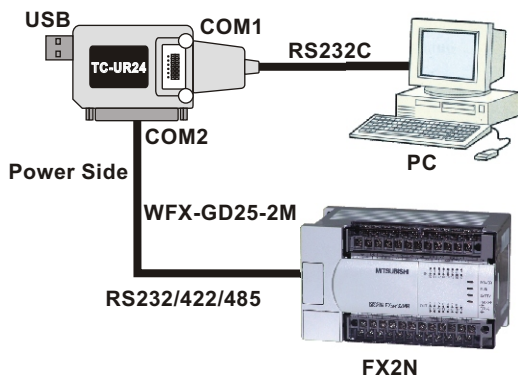
a. PC (USB) to COM2 (RS232/422/485).



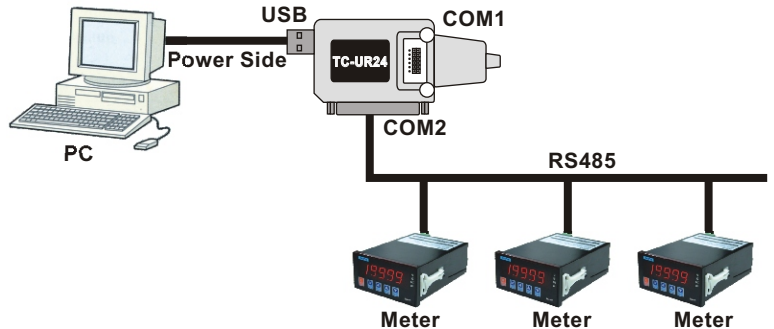
b. PC (USB) to standard serial port COM1 (RS232C):



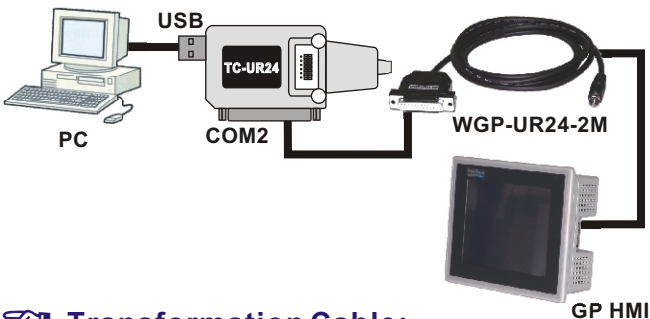
c. COM1(PC/RS232) to COM2 (RS232/422/485) PLC.



d. PC (USB) to COM2 (RS485) devices.



e. PC(USB) to Digital GP HMI.



Transformation Cable: WGP-UR24-2M



Pin Assignments:

Serial Communication Port2 (COM2 25pin Male)

Pin	Function	Pin	Function
1	Chassis ground	14	RS-422 TXD+ and RS-485 TXD/ RXD+
2	RS-232 TXD	15	RS-422 TXD- and RS-485 TXD/ RXD-
3	RS-232 RXD	16	RS-422 RXD+
4	RS-232 RTS	17	RS-422 RXD-
5	RS-232 CTS	18	TTL TX
6	Function as DSR	19	TTL RX
7	Signal ground	20	Function as DTR
8	Function as CD	21	(no function)
9	TTL RTS	22	Function as RI
10	TTL CTS	23	RS-422 RTS+
11	(no function)	24	RS-422 RTS-
12	RS-422 CTS+	25	5V input jumper selectable
13	RS-422 CTS-		