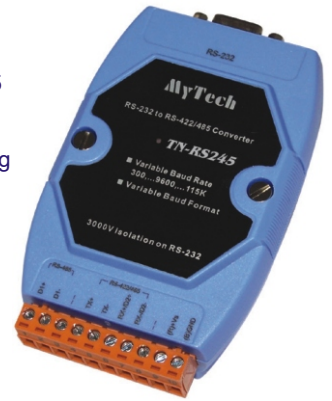


■ Features

Most industrial computer systems come with standard RS-232 serial ports. Though widely accepted, RS-232 has limited transmission speed, range, and networking capabilities. The RS-422 and RS-485 standards overcome these limitations by using differential voltage lines for data and control signals. It transparently converts RS-232 signals into isolated RS-422 or RS-485 signals. You do not need to change your PC's hardware or your software. TN-RS245 lets you easily build an industrial grade, long distance communication system with standard PC hardware.

- Auto switching baud rate, 300~115200 bps
- 3000 VDC isolation protection at RS-232 side
- ESD protection RS232/422/RS-485 data line
- Transmission speed up to 115.2 Kbps
- Supports operating temperatures from -25 ~ +75
- DIN-Rail ● Power Inputs +10 ~ +30V DC



■ Specifications

TN-RS245 Interface :

RS-232 : TxD, RxD, GND

RS-422/485 (The RS-422 and RS-485 couldn't be used simultaneously)

RS-422 : TxD+, TxD-, RxD+, RxD.

RS-485 : Data+, Data

2-wire cabling/4-wire cabling :

Belden 8941 (2P twisted-pair cable)/ Belden 8942 (4P twisted-pair cable),

When different cables are used, the transmission distance may change

Transfer distance :

Max. 1,200 m for speed 9.6 K bps; Max. 400 m for speed 115.2 K bps

Supports Max devices Maximum of 256 devices(Without repeater).

Self-Tuner Asic inside : Yes.

Speed : 300~115200 bps

ESD Protection : Yes.

Isolation voltage : 3000 VDC at RS-232 side

Connection : DB9(Female to RS-232); Removable 10-pin Terminal Block (For RS-422/485)

LED Display :

1 LED as Power/Communication Indicator

Power :

Input Voltage Range : +10 ~ +30 VDC (Non-isolation)

Power Consumption : 0.05 A @ 24 V = 1.2 W, +/- 5 %

Casing :

Mechanical : Plastic

Flammability : UL 94V-0 materials

Dimensions : 122 mm x 72 mm x 33 mm

Installation : DIN-Rail

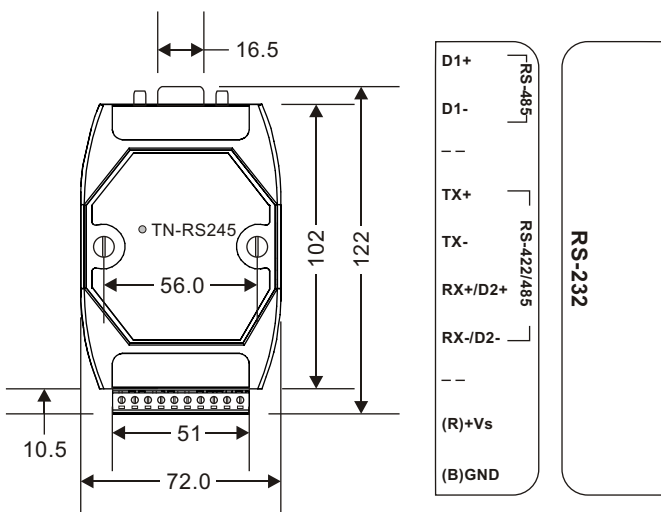
Environment :

Operating Temperature : -25 ~ 75

Storage Temperature -30 ~ 75

Ambient Relative Humidity : 10% ~ 90% RH, non-condensing

■ Dimensions (Unit:mm)



■ Block Diagram

