

■ Features

The TN-UR5 is a cost-effective USB to RS-485 converter. Connecting the TN-UR5 to a PC, you get one RS-485 port that allows you to access RS-485 devices through the USB interface. Like the TN-RS25, the TN-UR5 contains "Self-Tuner" chip auto-tunes the baud rate and data format to the RS-485 network. The TN-UR5 module derives its power from the USB port and doesn't need external power adapter.

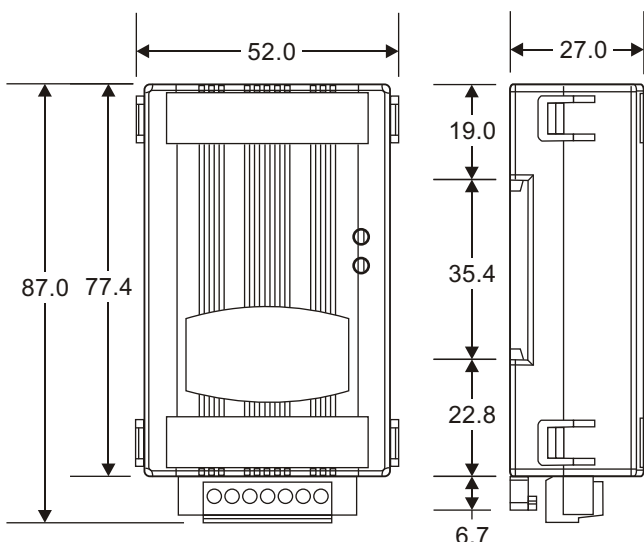
- Fully Compliant with the USB 1.1/2.0 (High Speed)
- Power and data flow indicator for troubleshooting
- Automatic RS-485 Direction Control
- 2500 VDC Isolation Protection on the RS-485 side
- Operating Temperatures, -25 ~ +75
- No External Power Supply required
- Low power consumption
- Tiny packaging fits on your DIN-Rail
- Cost-effective Converter
- Driver Supports Windows 98/ME/2000/XP/Vista(32/64-bit)/7 (32/64-bit)/Linux



■ Specifications

Interface		
USB	Compatibility: USB 1.1 and 2.0 standards	
RS-485	Data+, Data-	
2-wire cabling	Belden 8941 (2P twisted-pair cable), if different cables are used, the transmission distance may change	
RS-485 Transfer Distance	Max. 1,200 m at 9.6 kbps; Max. 400 m at 115.2 kbps	
Maximum Supported RS-485 Devices	256 (Without repeater)	
Self-Tuner Asic Inside	Yes	
Speed	300 ~ 115200 bps	
Connection	RS-485	Removable 7-Pin Terminal Block
	USB	Type B
Cable Included	CA-USB18 (1.8 m Cable) x 1	
LED Indicators		
Power/Communication	Yes	
Power		
Input Voltage Range	+5 VDC from USB	
Power Consumption	0.4 W	
Mechanical		
Casing	Plastic	
Flammability	Fire Retardant Materials (UL94-V0 Level)	
Dimensions (W x H x D)	52 mm x 87 mm x 27 mm	
Installation	DIN-Rail	
Environment		
Operating Temperature	-25 ~ +75	
Storage Temperature	-30 ~ +75	
Humidity	10 ~ 90% RH, non-condensing	

■ Dimensions (Unit:mm)



■ Internal I/O Structure

