

特點

- 316L Flush diaphragm structure adopted for pressure connection.
- Anti-fouling.
- Wide pressure range, can measure absolute pressure, gauge pressure.
- Good seal, long-term stable work.
- Optional output signal, can be customized.



1. 選購型號 : TY-740 - □ - □ □ □ □ - □

NO.	Pressure Type	NO.	Pressure Range	NO.	Pressure Range	NO.	Pressure Range	NO.	Pressure Range	NO.	Output	NO.	Connect Thread	NO.	Connector	NO.	Option
0	Absolute pressure	0.1	0.1 bar	1.6	1.6 bar	16	16 bar	160	160 bar	A	4-20mA	8	G1 External thread	1	DIN 43650	H	Cooling fans
1	Relative pressure	0.25	0.25 bar	2.5	2.5 bar	25	25 bar	250	250 bar	V	0-10V					W	Others
		0.4	0.4 bar	4.0	4.0 bar	40	40 bar										
		0.6	0.6 bar	6.0	6.0 bar	60	60 bar										
		1.0	1.0 bar	10	10 bar	100	100 bar										

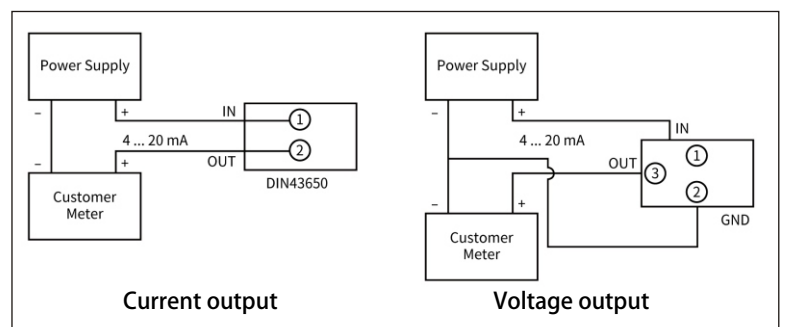
2. 主要規格

Measuring Range	Relative pressure : -1 ... 250 bar Absolute pressure : 0 ... 250 bar
Pressure Type	Relative pressure Absolute pressure
Output	4 ... 20mA (12 ... 30VDC) 0 ... 10V (12 ... 24VDC)
Accuracy	0.5%F.S.
Hysteresis & Repeatability	0.1%F.S.
Temperature Drift	1.5%F.S. (@-20°C ... 85°C)
Response Time	≤ 1ms (up to 90%FS)
Service Life	≥ 10×10 ⁶ pressure cycles
Operating Temperature	-20°C ... 85°C
Storage Temperature	-40°C ... 85°C
Medium Temperature	-40°C ... 85°C ; -40°C... 150°C (with 5 cooling fans)
IP Rating	IP65
Material	SS316
Connection	DIN 43650

3. 壓力範圍

Pressure range	Overpressure	Burst pressure
≤ 70kPa	300%FS	500%FS
≤ 2.5MPa	200%FS	300%FS
≤ 10MPa	150%FS	300%FS

4. 接線圖



5. 外型尺寸 (Unit:mm)

