

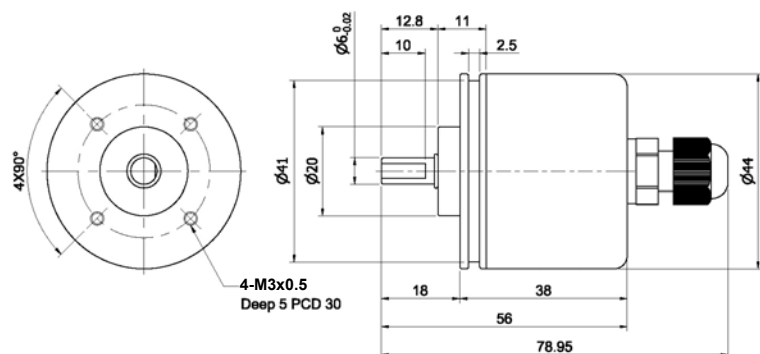
# EH-S-W

## ROTARY ENCODER HIGH RESOLUTION



- Built-in Multiplication Circuit
- Shaft Diameter 6 mm
- Line Driver Output

### DIMENSION



### ORDERING INFORMATION

EH-S-W-	<input type="text"/>	A-	<input type="text"/>	-	<input type="text"/>
	Multipled Pulse 倍頻解析		Electronics 電路特性		Multiplication 倍數
	5000, 10000 20000, 25000		L: Line Driver 5Vdc H: Line Driver 8-26Vdc		M02, M05, M10

### ELECTRICAL SPEC.

Detection System	Incremental 增量型
Output Wave 輸出波形	Square Wave 方波
Multiplication Pulse per Revolution 倍頻解析	5000 (2500 x 2, 5000-□-M02) 10000 (2000 x 5, 10000-□-M05) 20000 (2000 x 10, 20000-□-M10) 25000 (2500 x 10, 25000-□-M10)
Output Phase 輸出相	ABZ phase
Electronics 電路特性	Line Driver 差動式
Power Supply 供應電源	DC 5V, DC 8~26V
Current Consumption 消耗電流	≤ 60 mA (no load)
Output Capacity 輸出容量	Sync. Current: 20 mA, Residual Voltage: 0.5V or less
Max. Response 最大響應頻率	150K Hz
Phase Different 相位差	A, B phase different 90°±45° (T/4±T/8), Z phase T±T/2
Wave Form Rise / Fall 波形上下時間	1 μs or less
Polarity 極性保護	Against Reverse Protection

### MECHANICAL SPEC.

Shaft Diameter 軸徑	6 mm
Shaft Loading 軸荷重	Axial 軸向: 0.5 Kg, Radial 徑向: 1 Kg
Starting Torque (at 25°C) 起動轉矩	30 gf-cm or less
Max. Speed 最大機械容許速度	6,000 rpm
Vibration 震動	Max. 10g, 10 ~55 Hz / 1.5 mm X.Y.Z. 2 hr
Shock 衝擊	50g per 11 ms
Cable 電線	Ø4.5, 1000 mm long
Weight 重量	≤ 200g

### ENVIRONMENTAL SPEC.

Operating Temp. / Humidity 操作溫度/濕度	0°C ~ 60°C, RH 35% ~ 90% (No Condensation)
Storage Temp. 儲存溫度	-20°C ~ 70°C
Protection 保護等級	IP54: Dust Proof