

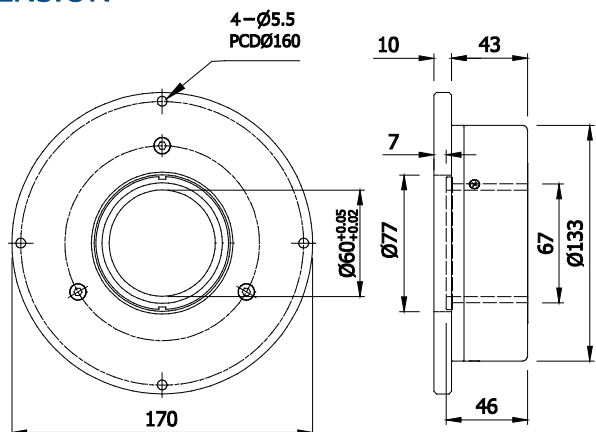
EHT-RHE

ROTARY ENCODER HOLLOW SHAFT



- High Resolution
- Hollow Shaft Diameter 60 mm
- Line Driver
- DC 5V and DC 8-26V

DIMENSION



ORDERING INFORMATION

EHT-RHE-60-

Pulse per Revolution 解析	A	Electronics 電路特性
9000, 18000, 36000, 72000, 90000		L: Line Driver 5Vdc H: Line Driver 8/26Vdc

ELECTRICAL SPEC.

Detection System	Incremental 增量型
Output Wave 輸出波形	Square Wave 方波
Standard Number of Pulse Per Revolution 解析	9000, 18000, 36000, 72000, 90000
Accuracy 精度	± 15 arc.sec
Output Phase 輸出相	ABZ phase
Electronics 電路特性	Line Driver 差動式
Power Supply 供應電源	DC 5V and DC 8~26V
Current Consumption 消耗電流	≤ 60 mA
Output Capacity 輸出容量	Sync. Current: 20 mA, Residual Voltage: 0.5V or less
Max. Response 最大響應頻率	100K Hz
Phase Different 相位差	A, B phase different $90^\circ \pm 45^\circ$ (T/4 \pm T/8), Z phase T \pm T/2
Wave Form Rise / Fall 波形上下時間	1 μ s or less
Polarity 極性保護	Against Reverse Protection

MECHANICAL SPEC.

Hollow Shaft Diameter 軸徑	60 mm
Shaft Loading 軸荷重	Axial 軸向: 1 Kg, Radial 徑向: 2 Kg
Starting Torque (at 25°C) 起動轉矩	≤ 600 gf-cm
Max. Speed 最大機械容許速度	1,000 rpm
Vibration 震動	Max. 10g
Shock 衝擊	20g per 11 ms
Cable 電線	$\varnothing 5.4$, 1000 mm long
Weight 重量	≤ 1800 g

ENVIRONMENTAL SPEC.

Operating Temp. / Humidity 操作溫度/濕度	0°C ~ 60°C, RH 35% ~ 90% (No Condensation)
Storage Temp. 儲存溫度	-20°C ~ 80°C
Protection 保護等級	IP50: Dust Proof