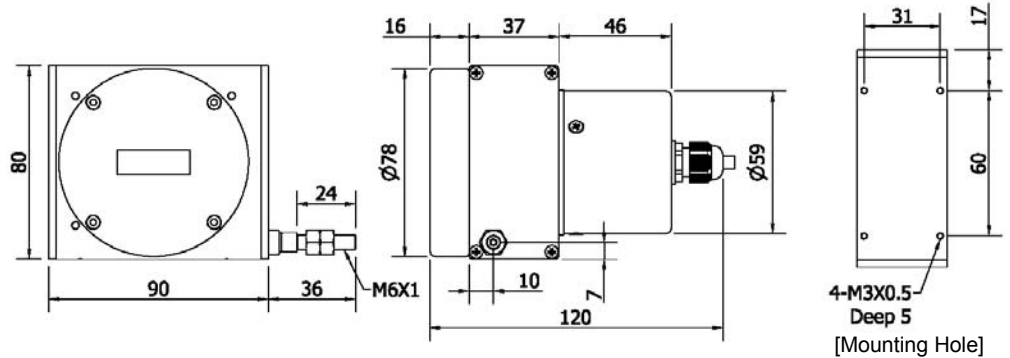


EHL-SM

LINEAR WIRE ENCODER



ELECTRICAL SPEC.

Detection System	Incremental 增量型
Output Wave 輸出波形	Square Wave 方波
Stroke (mm) 量測行程	2000, 3000, 5000
Standard Resolution (mm/pulse) 解析	0.5, 0.1, *0.05 mm/pulse (*0.05 mm/pulse only for stroke: 2000 mm)
Accuracy 精度	±0.05% FS, ±1 count
Output Phase 輸出相	AB phase or ABZ phase
Electronics 電路特性	NPN Voltage, NPN Open Collector, Push Pull or Line Driver
Power Supply 供應電源	DC 8~26V, DC 5V fixed
Current Consumption 消耗電流	≤ 60 mA
Output Capacity 輸出容量	Sync. Current: 20 mA, Residual Voltage: 0.5V or less
Max. Response 最大響應頻率	10K Hz ~ 50K Hz
Phase Different 相位差	A, B phase different 90°±45° (T/4±T/8), Z phase T±T/2
Wave Form Rise / Fall 波形上下時間	2 μs or less
Polarity 極性保護	Against Reverse Protection (not with DC 5V)

MECHANICAL SPEC.

Wire Specification 線徑規格	Material: SUS304 with nylon coating Diameter: 0.7 mm; Breaking load: 23 Kg
Max. Travel Speed 最大往復速度	1,000 mm / sec.
Vibration 震動	10g (10±1,500 Hz)
Shock 衝擊	20g per 11 ms
Cable 電線	Ø5.4, 100 cm long
Weight 重量	< 1,000g
Starting Torque on Spring 拉力	Max. 900 g

ENVIRONMENTAL SPEC.

Operating Temp. / Humidity 操作溫度/濕度	-10°C ~ 60°C, RH 35% ~ 90% (No Condensation)
Storage Temp. 儲存溫度	-20°C ~ 80°C
Protection 保護等級	IP64: Dust & Dripping Proof (only for encoder housing)
Life 壽命	Typical > 1 X 10 ⁶ cycles

ORDERING INFORMATION

EHL-SM	Measuring Range 量測行程	Resolution 解析	Output Phase 輸出相	Electronics 電路特性	Supply Voltage 供應電源
	20 : 2000 mm 30 : 3000 mm 50 : 5000 mm	05 : 0.5 mm 01 : 0.1 mm 005 : 0.05 mm	Blank: AB phase *Z: ABZ phase	Blank: NPN Voltage C: NPN Open-Collector PP: Push-Pull *L: Line Driver 5Vdc *HL: Line Driver 5~26Vdc	Blank: 8~26Vdc 5V: 5Vdc fixed

*0.05 mm/pulse only for stroke: 2000 mm