

Features

- Compact dimensions
- Protection class up to IP67
- Resolution better than 0.01 mm
- Very high lifetime up to 100 mio. movements (depending on application)
- Pivot heads with large angle of free movement
- Outstanding linearity
- Variable customer interface
- Applications under adverse ambient conditions possible (humidity, oil, dust)



Ordering Specifications

RP-TEX

NO	Electrical defined range	NO	Electrical defined range	NO	Mechanical linkage	NO	Mechanical version actuating rod X1X	NO	Mechanical mounting	NO	Electr. version
10	10mm	150	150mm	3	Optional: one-sided actuating shaft, IP40	1	Transducer with one-side-rod, M5	1	Standard: "snap-on" clamps	002	Independent linearity ± 0.05 % up to ± 0.25 %
25	25mm	175	175mm						2		
50	50mm	200	200mm	4	Standard: one-sided actuating shaft, IP54			3	Pivot heads		
75	75mm	250	250mm					4	Flange mounting		
100	100mm	300	300mm	5	Standard: one-sided actuating rod, IP67			5	Pivot heads (short version)		
125	125mm										

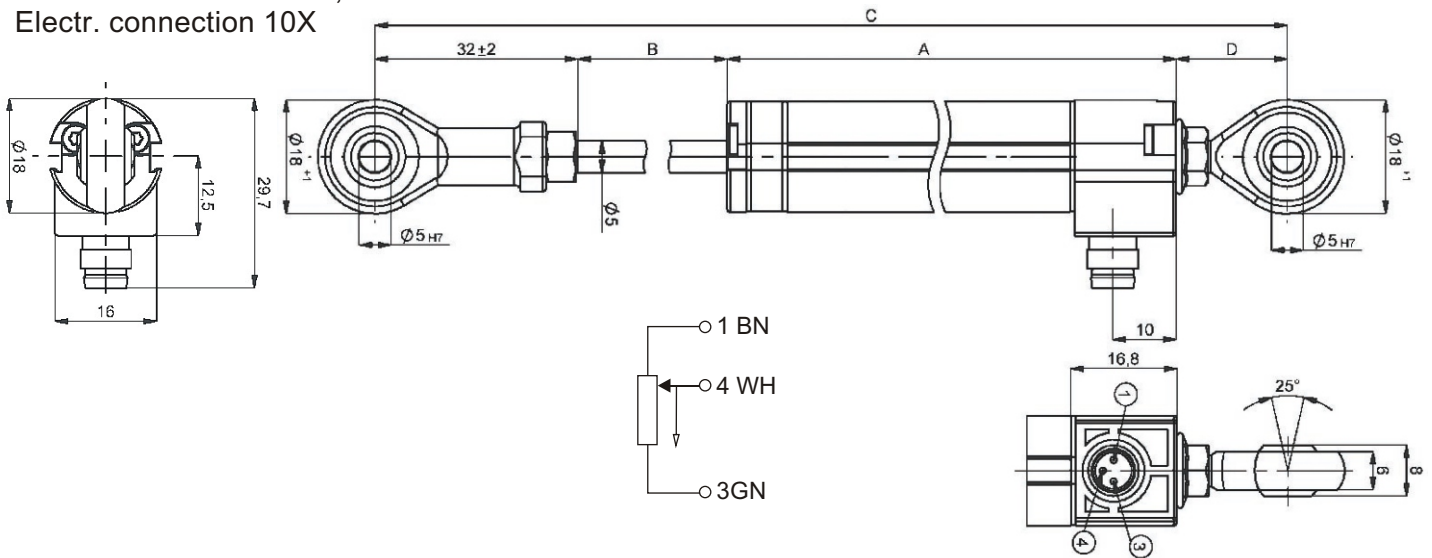
NO	Electr. connection
101	3-pin M8 connector (STD)
201	Radial cable - 1 meter
202	Radial cable - 2 meter (STD)
203	Radial cable - 3 meter
205	Radial cable - 5 meter
301	Axial cable - 1 meter
301	Axial cable - 2 meter (STD)
303	Axial cable - 3 meter
305	Axial cable - 5 meter

Specifications

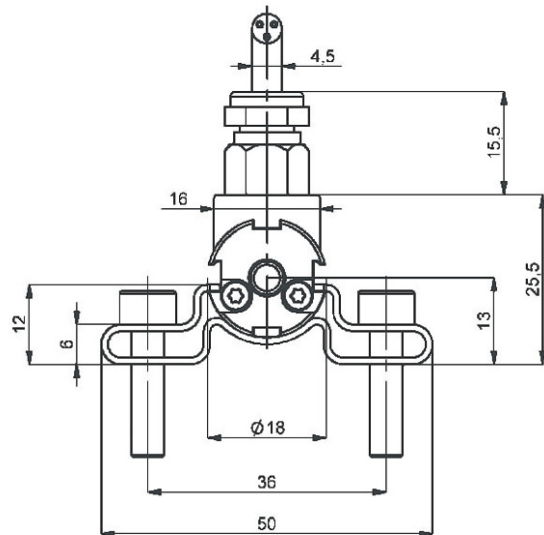
Type designations	RP-TEX 10	RP-TEX 25	RP-TEX 50	RP-TEX 75	RP-TEX 100	RP-TEX 125	RP-TEX 150	RP-TEX 175	RP-TEX 200	RP-TEX 250	RP-TEX 300
Defined electrical range	10mm	25mm	50mm	75mm	100mm	125mm	150mm	175mm	200mm	250mm	300mm
Nominal resistance	1K	1K	2K	3K	4K	5K	6K	7K	8K	10K	12K
Resistance tolerance	± 20%										
Independent linearity	± 0.25%	± 0.2%	± 0.1%	± 0.1%	± 0.1%	± 0.05%	± 0.05%	± 0.05%	± 0.05%	± 0.05%	± 0.05%
Repeatability	0.01mm										
Recommender operating wiper current	< 1 µ A										
Max. wiper current in case of malfunction	10mA										
Max. Permissible applied voltage	42V										
Insulation resistance (500VDC, 1bar, 2s)	10M										
Dielectric strength (50Hz, 2s, 1bar, 500VAC)	100 µ A										
Body length (dimension A)	63mm	78mm	103mm	128mm	153mm	194mm	219mm	244mm	269mm	314mm	369mm
Mechanical stroke (dimension B)	14mm	29mm	54mm	79mm	104mm	132mm	157mm	182mm	207mm	257mm	307mm
Minimum distance between pivot heads (dim. C), version X15 (dim. D = 17,5 mm)	114mm	129mm	154mm	179mm	204mm	245mm	270mm	295mm	320mm	370mm	420mm
Minimum distance between pivot heads (dim. C), version X13 (dim. D = 24,5 mm)	121mm	136mm	161mm	186mm	211mm	252mm	277mm	302mm	327mm	377mm	427mm
Operating speed	5m/s max.										
Temperature range	-40 ... +85 (-40...+100 on request)										
Vibration	5 ~ 2000Hz / Amax = 0.75mm / amax = 20g										
Shock	50g / 6ms										
Life	100 x 10 ⁶ typ. (IP40, IP54) / 50 x 10 ⁶ typ. (IP65, IP66)										
Protection class	10m/s max.										
Operational acceleration	up to IP 66 DIN 40500 / IEC										

✂ Dimensions (Unit:mm)

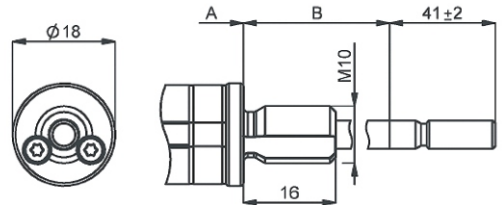
Mechanical version X13, X15
Electr. connection 10X



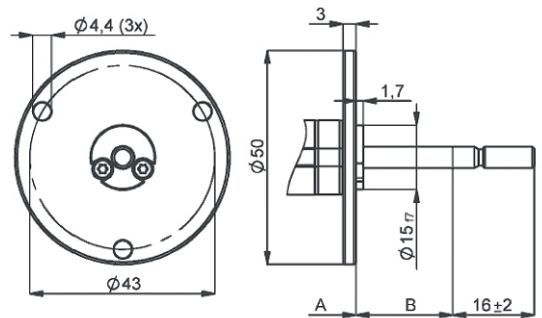
Mechanical version X11
Electr. connection 20X



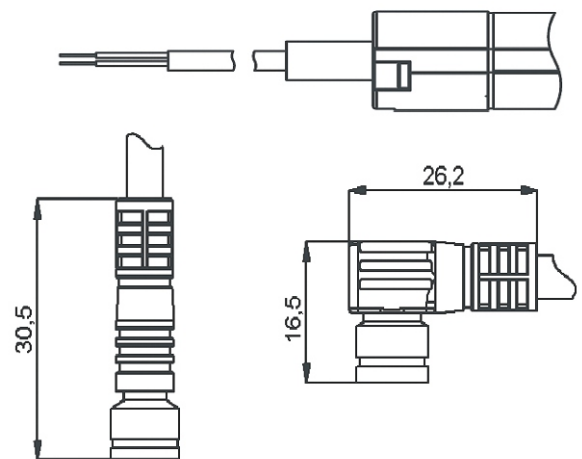
Mechanical version X12



Mechanical version X14



Electr. connection 30X



EEM 33-64

EEM 33-65