

特點

- 12VDC/50mA external power supply.
- Available in NPN, PNP, ON/OFF-delay, One-shot, functions.
- ON/OFF-Delay (0~10sec). ONE-Shot (0~10sec).
- Easy to wire.



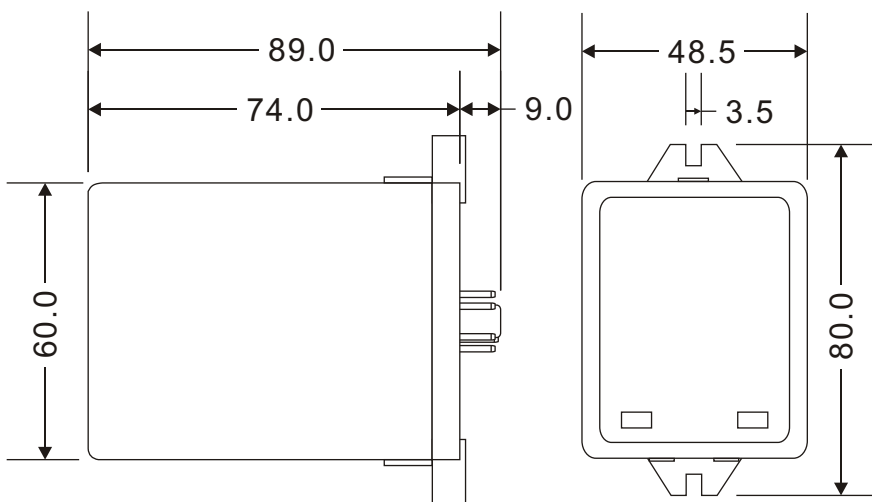
1.選購型號 : PT-R

NO	Operating Voltage	NO	Operating Voltage	NO	Input Signal
1	AC110V	1T	AC110V	N	NPN
2	AC220V	2T	AC220V	P	PNP
Power source with relay out		Power source with Timer Function			

2.主要規格

Type	PT-R1	PT-R2	PT-R1T	PT-R2T
Power	AC110V 50/60Hz	AC220V 50/60Hz	AC110V 50/60Hz	AC220V 50/60Hz
Adopt Controller	Power Source with Relay Out		Power source with Timer Function	
Delay Timer Functions	-		ON/OFF-Delay Out (0~10sec) One-Shot Out (0~10 sec)	
Input Signal	NPN/PNP			
Current Consumption	8mA NO-Load			
DC Output Voltage	12VDC \pm 10%			
Output Current	50mA max			
Operating Voltage	10~30VDC			
Relay Output	250VAC 3A			
Operating temperature	-25 ~ +60			

3.外觀尺寸 (Unit:mm)



4.接腳圖

