

Features

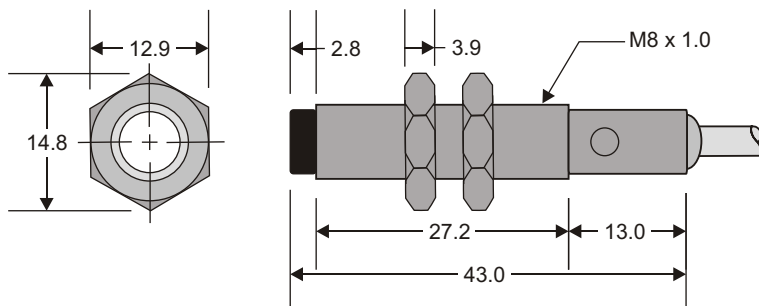
- Solid compact structure
- M8 x 43mm
- Protection class : IP-67
- High reliability
- Output short circuit protection
- High noise resistance



Specifications

Outline	外 型	M8
Type	型 號	PHM-D03N
		Reflex type
Sensing distance	檢測距離	3 cm
Emitter	發射光源	Infrared LED
Hysteresis	應 差	20% of sensing distance Max.
Response time	應答時間	1ms Max.
Operating voltage	工作電壓	10 ~ 30VDC
Ripple of power	電壓漣波	20% peak to peak
Current consumption	耗 電 流	15mA Max.
Pilot LED	指 示 燈	Green : Power pilot ; Yellow : Operating pilot
Output method	輸出方式	NPN open collector
Output status	輸出狀態	NO
Output current	輸出電流	150mA Max.
Residual voltage	殘留電壓	0.1V Max.
Leakage current	洩漏電流	0.8mA Max.
Protection circuit	保護電路	Short circuit & polarity reversed protection
Lead wire	出線長度	3c / 3.0 x 3M
Dielectric strength	耐壓強度	1kv / 1 minute Min.
Insulation strength	絕緣強度	100M / 500VDC
Op. circumstance	工作環境	-20 ~ +80 ; 35% ~ 85% RH
Protection class	保護等級	IP 67

Dimensions (Unit:mm)



Connection diagram

