

C

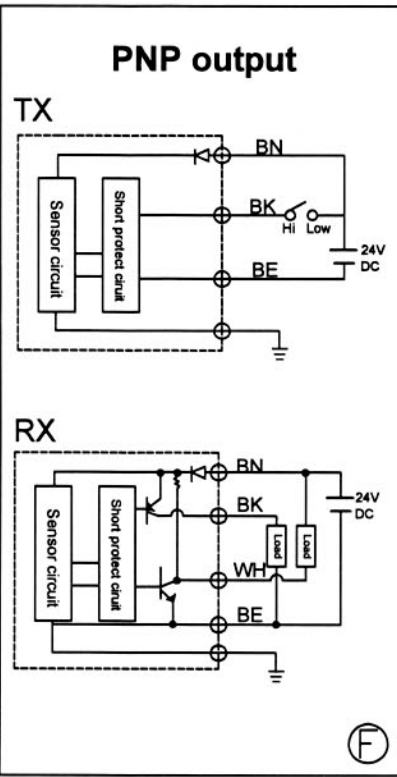
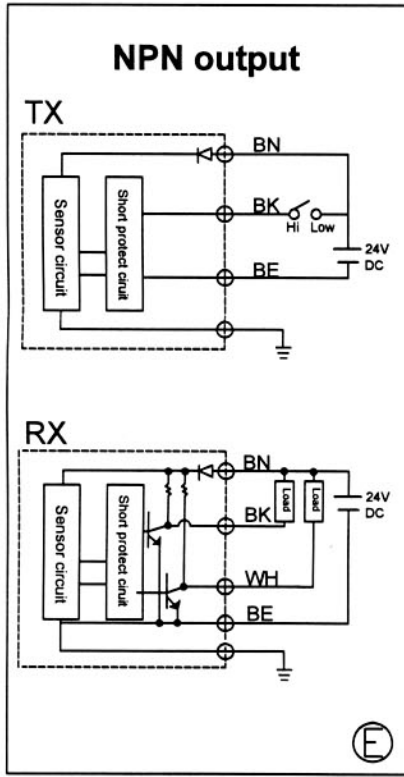
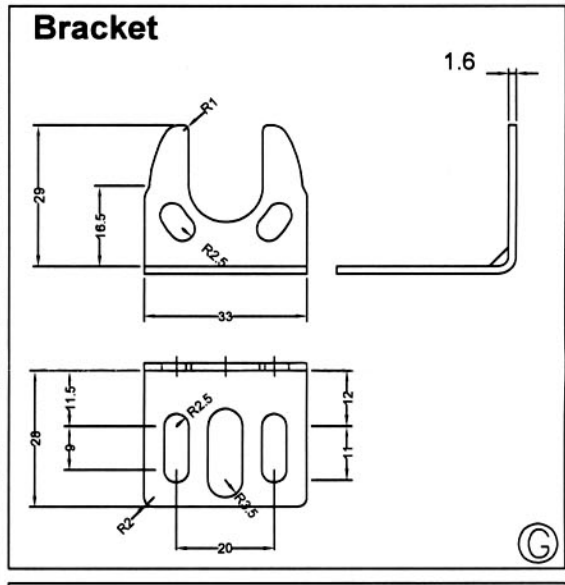
Model Number	Number of Beams	Detection Zone (mm)	Object Detection	Length (mm)
PNA-40-04	4	197	45	215
PNA-40-06	6	357	45	277
PNA-40-08	8	517	45	357

Model List

SPECIFICATION

Number of beams	4-44
Object detection	45mm
Detection zone	197-1797mm
Range	0.5m-2.5m (L type 1m-7m)
Light type	Infra-Red 880nm
Response time	20ms
Operating temperature	0°C to +70°C
Light curtain enclosure	IP65
Status indicators TX	Yellow=Power
Status indicators RX	Red=Blocked Green=Clear
Power supply requirement	22-28VDC Ripple<10% Diode Protected
Current consumption	40mA per 8 beams
Light curtain connection	M12 4core
Classification	CE mark
Warranty	1 year
Outputs (NPN or PNP)	Electronic NPN 200mA

D



! ATTENTION !

IR 880nm-940nm

IR 800-1000nm

MAINTENANCE

H