

Features

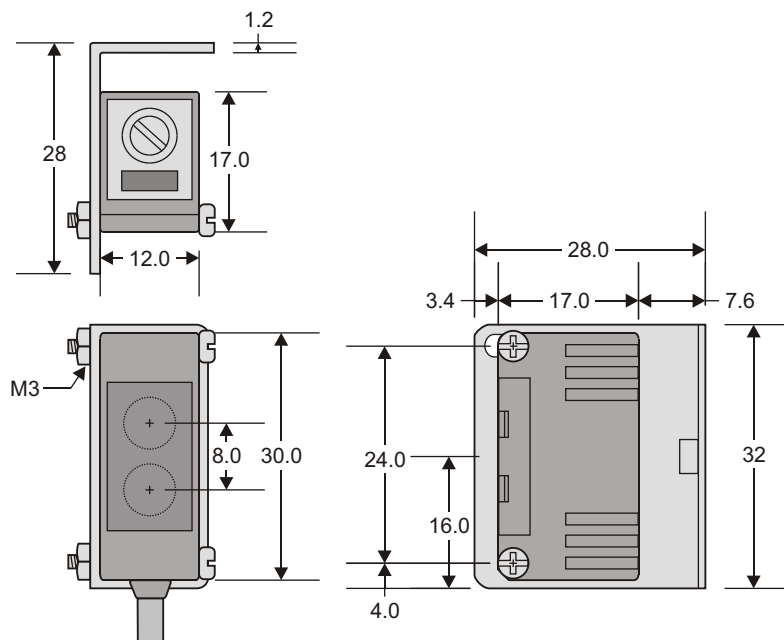
- Solid compact structure 12x30x17(WxHxD mm).
- Protection class : IP-66.
- NO/NC changeable.
- Wide operating voltage range
10 ~30 VDC.



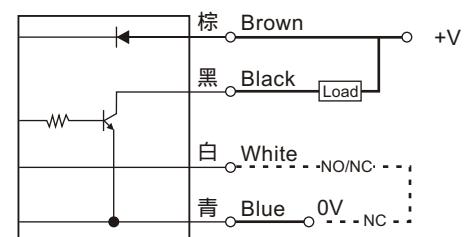
Specifications

Type	型 號	Diffuse reflex		Mirror reflex		Thru beam
		PSM-D10N	PSM-D30N	PSM-R120N	PSM-R200N	PSM-T400N
Sensing distance	檢測距離	10 cm	30 cm	1.2 m	2 m	4 m
Emitter	發射光源	Infrared LED		Red LED		Infrared LED
Hysteresis	應 差	20% of sensing distance Max.				
Response time	應答時間	1ms Max.				
Operating voltage	工作電壓	10 ~ 30VDC				
Ripple of power	電壓漣波	20% peak to peak				
Current consumption	耗 電 流	25mA Max.				
Pilot LED	指 示 燈	Green : Power pilot ; Yellow : Operating pilot				
Output method	輸出方式	NPN open collector				
Output status	輸出狀態	NO or NC selectable				
Output current	輸出電流	150mA Max.				
Residual voltage	殘留電壓	0.1V Max.				
Leakage current	洩漏電流	0.8mA Max.				
Protection circuit	保護電路	Short circuit & polarity reversed protection				
Lead wire	出線長度	4c / 4.0 x 2M				
Dielectric strength	耐壓強度	1kv / 1 minute Min.				
Insulation strength	絕緣強度	100M / 500VDC				
Op. circumstance	工作環境	-20 ~ +80 ; 35% ~ 85% RH				
Protection class	保護等級	IP 66				

Dimensions (Unit:mm)



Connection diagram



Output Status

NO : White wire open

NC : White wire connected to 0V