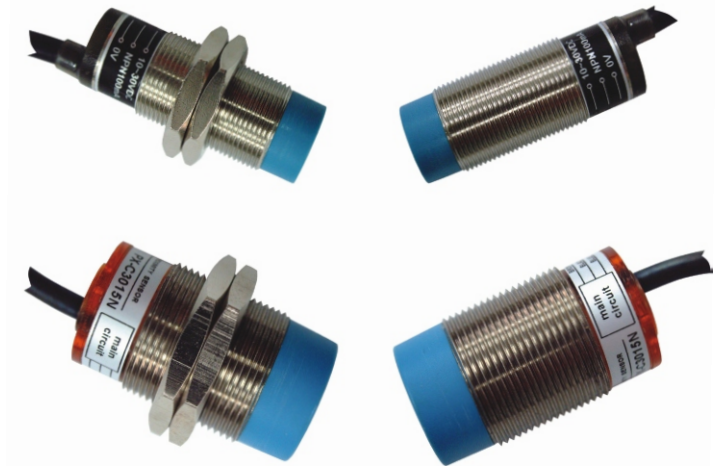


## Features

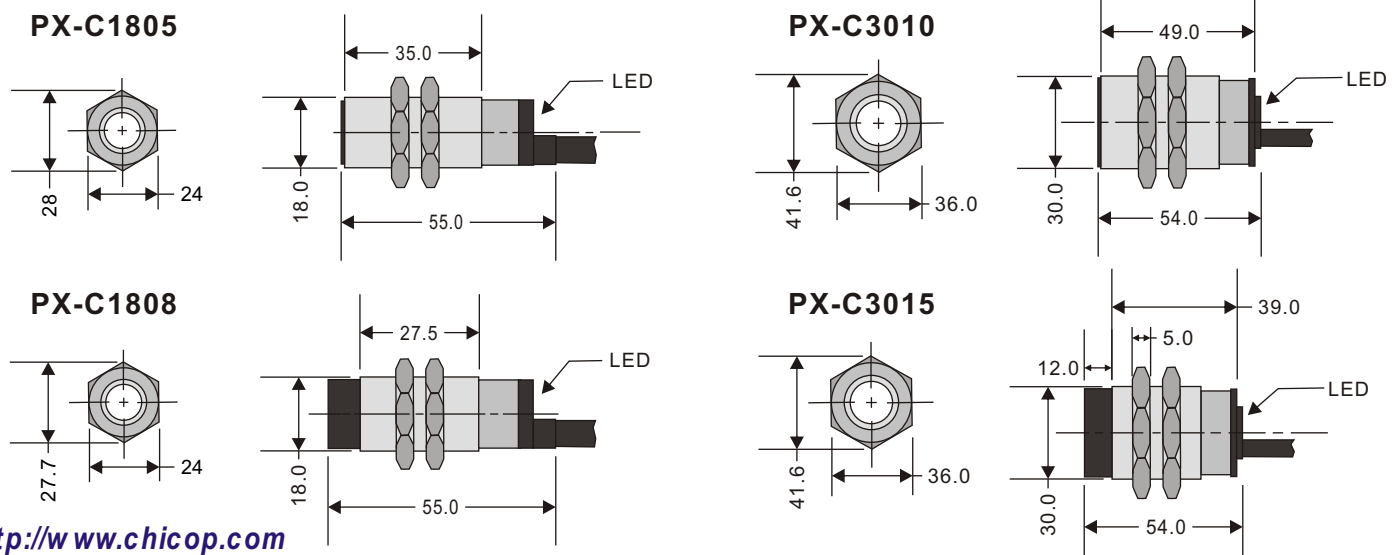
- The sensing distance is from 1mm to 15mm.
- M18, M30 cylindrical housing .
- Wide operating voltage range 12~24 VDC.
- All models have easy to identify operator indicator.
- M18, M30 models are protected against short circuit and polarity reversal and inductive loads.

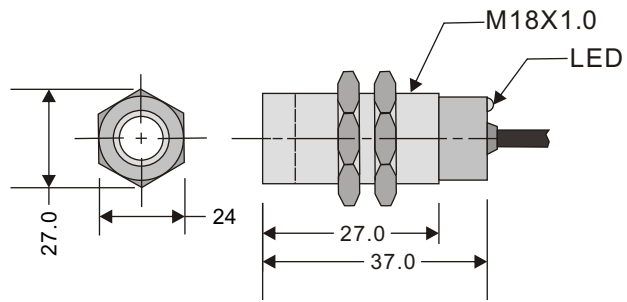


## Specifications

Type		PX-C18		PX-C30	
Output method	NPN.NO	PX-C1805-N	PX-C1808-N	PX-C3010-N	PX-C3015-N
	NPN.NC	PX-C1805-N2	PX-C1808-N2	PX-C3010-N2	PX-C3015-N2
	PNP.NO	PX-C1805-P	PX-C1808-P	PX-C3010-P	PX-C3015-P
	PNP.NC	PX-C1805-P2	PX-C1808-P2	PX-C3010-P2	PX-C3015-P2
	NPN.NO/NC PNP.NO/NC	PX-C1805K	PX-C1808-K	PX-C3010-K	PX-C3015-K
Mounting mode		shielded	unshielded	shielded	unshielded
Description		Standard M18mm		Standard M 30mm	
Hysteresis		≅ 10% of sensing distance			
Sensing distance		5 mm	8 mm	10 mm	15 mm
Response frequency		500Hz	500Hz	300Hz	100Hz
Standard sensing object		Iron 18 X 18 X 1mm		Iron 30 X 30 X 1mm	
Operating voltage		12~24VDC			
Current consumption		≅ 8 mA no-load			
Output current		30 VDC 100 mA Max			
Leakage current		≅ 1.1 mA no-load			
Residual voltage		≅ 1.5 VDC			
Operating temperature		-25°C ~ +60°C			
Wiring method		5 ∅ X 2M / 3 cores (K → 5 ∅ X 2 M / 4 cores)			
Degree of protection		IP 66			

## Dimensions (Unit:mm)





TYPE	PX-C1805-NZ	PX-C1805-N2Z	PX-C1805-PZ	PX-C1805-P2Z
Output status	NO	NC	NO	NC
Output method	NPN		PNP	
Operating voltage	10~30VDC			
Sensing Direction	5.0mm			
Response frequency	800Hz			
Mounting method	Flushed			