

Features

- PVC housing, resin inside, protection from oil, water, acid and alkaline.
- High quality, high durability.
- Wide operating voltage range 10~30 VDC.
- All models with the operating indicator easily identified.

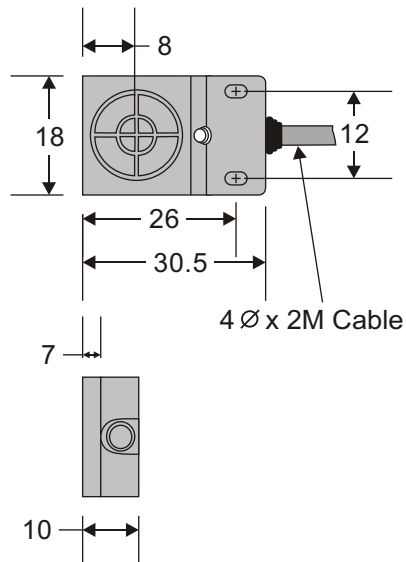


Specifications

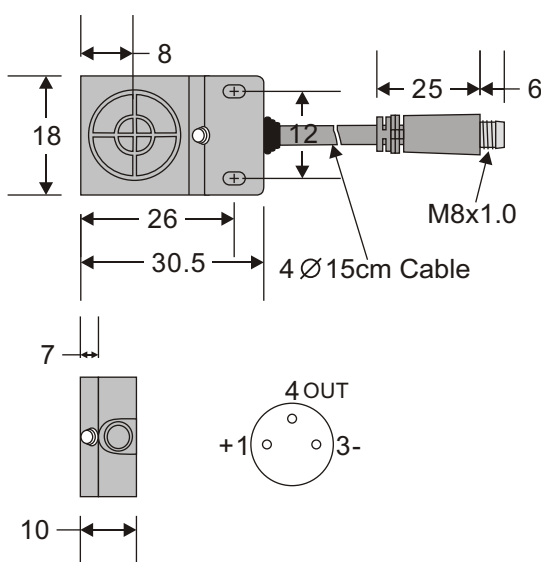
Output method	NPN.NO	PX-QD04-N	PX-QD04-ND
	NPN.NC	PX-QD04-N2	PX-QD04-N2D
	PNP.NO	PX-QD04-P	PX-QD04-PD
	PNP.NC	PX-QD04-P2	PX-QD04-P2D
	NPN.NO/NC PNP.NO/NC	—	—
Sensing direction	Front surface / 上方		
Hysteresis	10% of sensing distance		
Sensing distance	4 mm		
Response frequency	500 Hz		
Recommended distance	0 to 3.2 mm		
Standard sensing object	Iron 18 x 18 x 1mm		
Operating voltage	10 ~ 30 VDC		
Current consumption	8mA no-load		
Output current	30V 100mA Max		
Leakage current	1.1mA no-load		
Residual voltage	1.5 VDC		
Operating temperature	-20 ~ +60		
Wiring method	4.2 ϕ x 2M / 3cores	Pre-lead 15cm M8 connector M8 接頭 15cm 電線式	
Degree of protection	IP 66		IP 66

Dimensions (Unit:mm)

PX-QD04-N

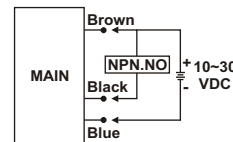


PX-QD04-ND

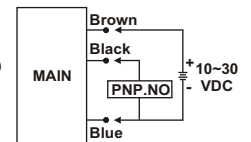


Wiring diagrams

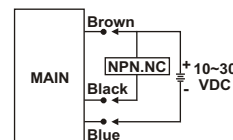
PX-QD04-N



PX-QD04-P



PX-QD04-N2



PX-QD04-P2

