

## Features

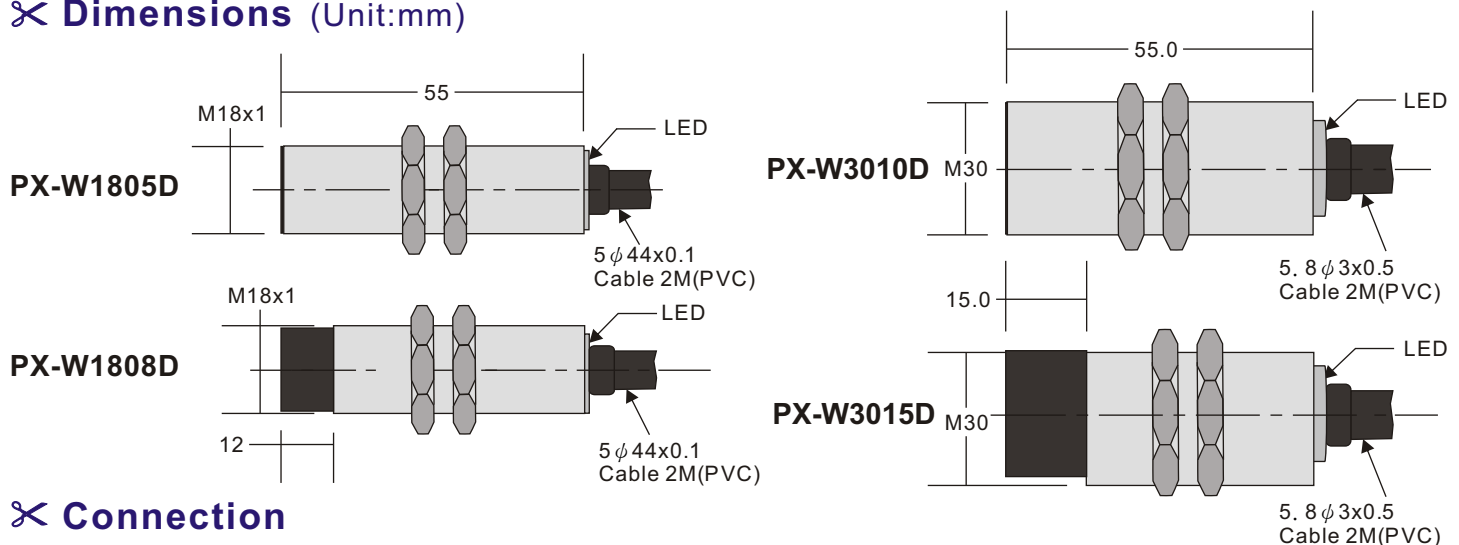
- The sensing distance is from 5mm to 15mm.
- M18, M30 cylindrical housing.
- Wide operating voltage range 10~30 VDC.
- All models have easy to identify operator indicator.



## Specifications

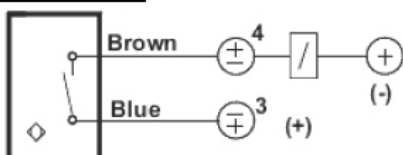
| Type                           | PX-W18      |             |             | PX-W30      |             |
|--------------------------------|-------------|-------------|-------------|-------------|-------------|
| Output method                  | NPN.NO      | PX-W1805D   | PX-W1808D   | PX-W3010D   | PX-W3015D   |
|                                | PNP.NO      | PX-W1805D2  | PX-W1808D2  | PX-W3010D2  | PX-W3015D2  |
| Sensing distance               |             | 5 mm        | 8 mm        | 10 mm       | 15 mm       |
| Response time on/off           |             | 0.2ms/0.2ms | 0.5ms/0.5ms | 0.2ms/0.2ms | 0.5ms/0.5ms |
| Switching frequency            |             | 1KHz        | 500Hz       | 1KHz        | 500Hz       |
| Operating voltage              | 10~30VDC    |             |             |             |             |
| Max. Load current              | 200mA       |             |             |             |             |
| Voltage drop                   | <2.0V       |             |             |             |             |
| Ripple                         | <10%        |             |             |             |             |
| Leakage current                | <0.01mA     |             |             |             |             |
| No load current                | <10mA       | <20mA       | <10mA       | <20mA       | <20mA       |
| Switching hysteresis           | <15%(Sr)    |             |             |             |             |
| Repeat accuracy                | <1.0%(Sr)   |             |             |             |             |
| Temperature drift              | <10%(Sr)    |             |             |             |             |
| Short circuit protection       | Yes         |             |             |             |             |
| Time delay before availability | <10ms       |             |             |             |             |
| Operating temperature          | -25°C~+70°C |             |             |             |             |
| Degree of protection           | IP 67       |             |             |             |             |
| Weight                         | Approx.153g | Approx.144g | Approx.217g | Approx.207g | Approx.207g |

## Dimensions (Unit:mm)



## Connection

NPN/PNP N.O.



NPN/PNP N.C.

