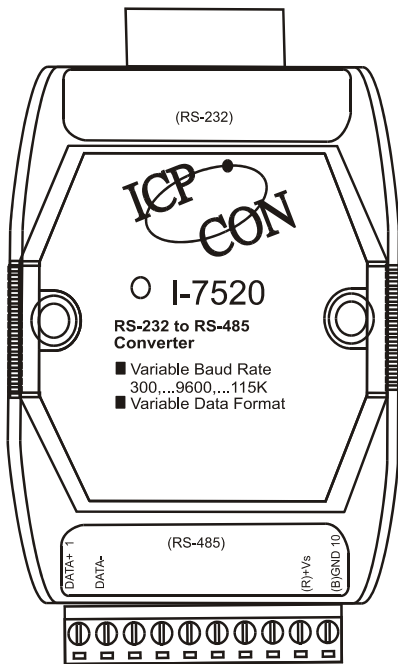


I-7520:

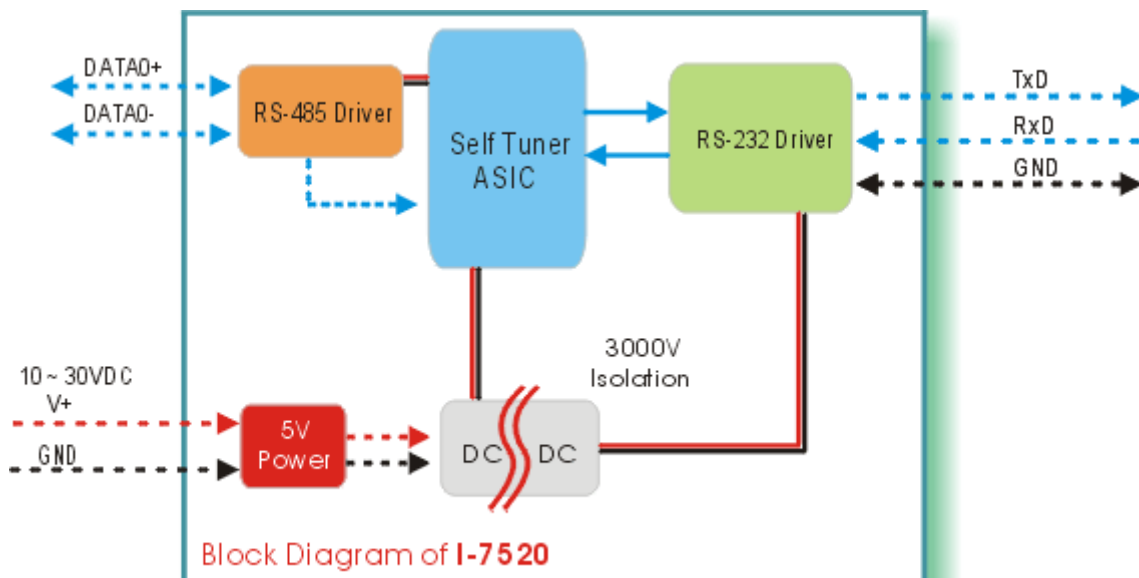
Pin Assignment and Specifications:



7520: RS-232 to RS-485 Converter

- Protocol: Differential 2-wire half-duplex RS-485
- Connector: plug-in screw terminal block
- Speed: "Self Tuner" inside, auto switching baud rate, from 300 to 115200 BPS
- 256 modules max in one RS-485 network without repeater
- 2048 modules max in one RS-485 network with repeater
- Option jumper for 120 ohm termination resister
- Isolation voltage: 3000V
- Isolation site: RS-232
- Repeater request: 4,000 feet or over 256 modules
- Power requirements: +10V to +30VDC Power consumption: 2.2W(Max)

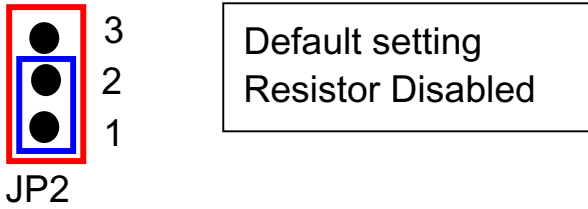
Block Diagram:



The I-7520 is designed with a Termination resistor on board.

Enable/Disable the resistor jumper for an RS-485:

To disable the resistor: Set the JP2 jumper to positions 1 and 2.



To enable the resistor: Set the JP2 jumper to positions 2 and 3.

