

■ Features

- VL-C1 support one RS-232 device.
- VL-C2 support two RS-232 devices.
- VL-C3 support three RS-232 devices.
- VL-C4 support four RS-232 devices.
- VL-C7 support seven RS-232 devices.



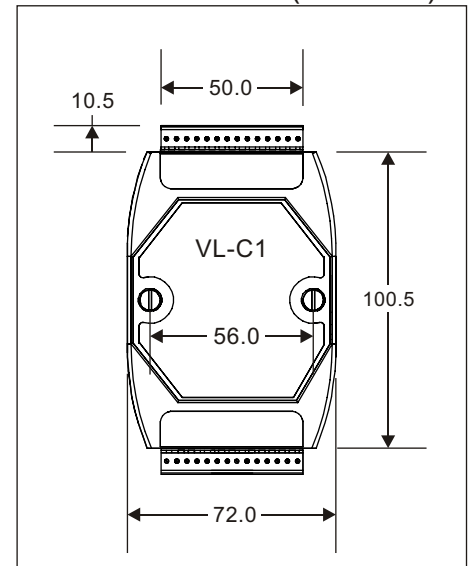
■ Specifications

Type	VL-C1	VL-C2	VL-C3	VL-C4	VL-C7
CPU (80188)	20M	20M	20M	40M	40M
COM1 Port	RS-232/ RS-485	RS-232/ RS-485	RS-232/ RS-485	RS-232/ RS-485	RS-232/ RS-485
COM2 Port	RS-485	RS-485	RS-485	RS-485	RS-485
COM3 Port	—	RS-232	RS-232	RS-232	RS-232
COM4 Port	—	—	RS-232	RS-232	RS-232
COM5 Port	—	—	—	RS-232	RS-232
COM6 Port	—	—	—	—	RS-232
COM7 Port	—	—	—	—	RS-232
COM8 Port	—	—	—	—	RS-232
Communication speed	115.2K Bps max.				
Operating temperature	-25 to +75				
Storage temperature	-40 to +80				
Dimensions	123mm x 72mm x 33mm				
Power requirement	Unregulated 10~30VDC Power				
Power consumption	2W(without display)/3W(with display)				

■ TYPE : VL-C

NO.	RS-232 device	NO.	RS-232 device
1	One	4	Four
2	Two	7	Seven
3	Three		

■ Dimensions (Unit:mm)



■ Applications

