

## 特點

- 精確度0.25%滿刻度(RMS)
- 多種輸入,輸出選擇
- 輸入與輸出絕緣耐壓2仟伏特/1分鐘
- 沖擊電壓測試5仟伏特
- 突波電壓測試2.5仟伏特(0.25ms/1MHz)
- 尺寸小,穩定性高



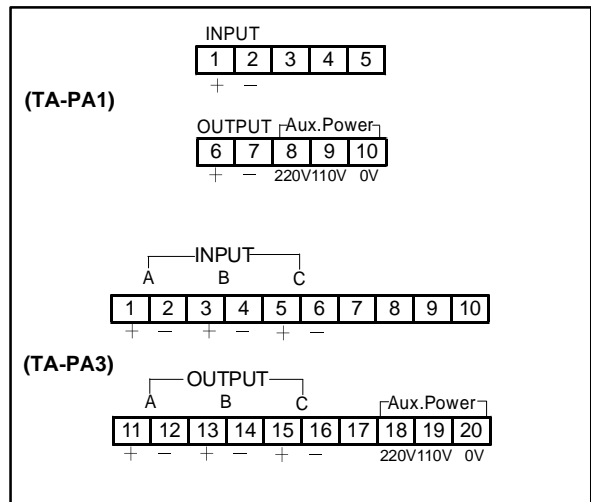
## 1. 選購型號: TA-PA - [ ] - [ ] - [ ] - [ ]

NO	Input Unit	NO	Input Type	NO	Input Range	NO	Frequency	NO	Output Range	NO	Output Range	NO	Aux. Power
1	1 unit	A	Voltage(RMS)	1	AC0~120V	A	50Hz	A	DC0~50mV	F	DC0~1mA	A	AC110V/220V
3	3 units	B	Current(RMS)	2	AC0~240V	B	60Hz	B	DC0~1V	G	DC0~10mA	B	AC/DC20~60V
		O	SPECIFIED	3	AC0~400V	C	400Hz	C	DC1~5V	H	DC0~20mA	C	AC/DC90~260V
				4	AC0~1A	D	SPECIFIED	D	DC0~10V	I	DC4~20mA		Less 3VA for AC/DC input
				5	AC0~5A		Frequency ± 10%	E	DC2~10V	O	SPECIFIED		
				9	SPECIFIED								

## 2. 主要規格

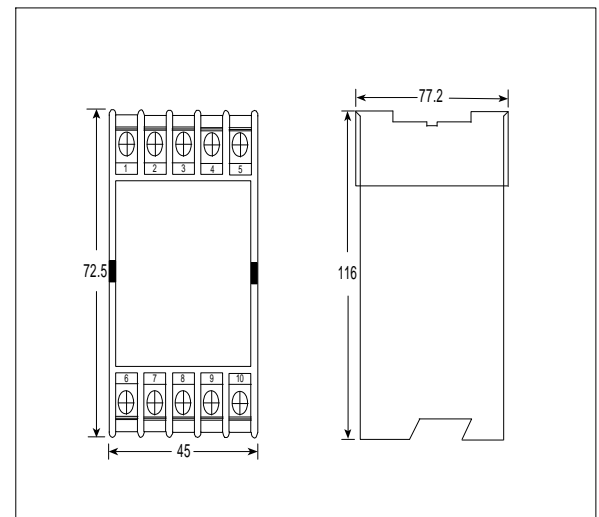
- Measuring accuracy : 0.25%F.S.(RMS) (23 ± 5 )  
 (精確度)
- Input burden : <0.2VA(voltage)  
 <0.2VA(current)  
 (輸入負載)
- Maximum input over : Current related input:3 x rated continuous  
 (最大過載能力) 10 x rated 30 sec. ,25 x rated 3sec.  
 50 x rated 1sec.  
 Voltage related input:maximum 2x rated continuous
- Response time : <250ms (0~90%)  
 (輸出反應時間)
- Output drive capability : <10mA for voltage mode  
 (輸出負載能力) <10V for current mode
- Output ripple(p-p) : <0.1% F.S.  
 (輸出漣波)
- Zero (offset) range : 0~ ± 5% F.S.  
 (歸零調整範圍)
- Span (scale) range : 0~ ± 10% F.S.  
 (最大值調整範圍)
- Temp. coefficient : 100ppm/ (0~50 )  
 (溫度係數)
- Isolation : Input/Output/Power/Case  
 (隔離特性)
- Insulation Resistance : >100Mohm with 500V DC  
 (絕緣阻抗)
- Dielectric strength : 2KVac/1 min. (input/output/power)  
 (絕緣耐壓能力)
- Impulse test : ANSI C37.90a/1974,DIN-IEC 255-4  
 (衝擊測試) impulse voltage 5KV (1.2 x 50us)
- Surge test(ring wave) : 2.5KV-0.25ms/1MHz  
 (突波測試)
- Operating condition : -20~60 (20 to 90% RH non-condensed)  
 (使用環境條件)
- Storage condition : -30~70 (20 to 90% RH non-condensed)  
 (存放環境條件)

## 3. 接線圖



## 4. 外型尺寸(unit:mm)

### •TA-PA1



•TA-PA3 see TA-PW Transducer dimension