

特點

- 精確度0.25%滿刻度(RMS)
- 多種輸入,輸出選擇
- 輸入與輸出絕緣耐壓2仟伏特/1分鐘
- 沖擊電壓測試5仟伏特
- 突波電壓測試2.5仟伏特(0.25ms/1MHz)
- 尺寸小,穩定性高



1. 選購型號: TA-PW - [] - [] - [] - []

NO	Type	NO	Input Unit	NO	VoitageRange	NO	Current Range	NO	Frequency	NO	Output Range	NO	Output Range	NO	Aux.Power
W	WATT	1	1 ϕ 2W	1	0~120V	1	0~1A	A	50Hz	B	DC0~1V	F	DC0~1mA	A	AC110/220V
V	VAR	3	3 ϕ 3W	2	0~240V	2	0~5A	B	60Hz	C	DC1~5V(uni.)	G	DC0~10mA	B	AC/DC20~60V
		4	3 ϕ 4W	3	0~400V	9	SPECIFIED	C	400Hz	D	DC0~10V	H	DC0~20mA	C	AC/DC90~260V
		9	SPECIFIED	9	SPECIFIED			O	SPECIFIED	E	DC2~10V	I	DC4~20mA(uni.)		•Less 4VA for AC/DC input
					•Voltage \pm 30%				•Frequency \pm 10%	J	DC1~3~5V(bi.)	K	DC4~12~20mA(bi.)		

Note:1. uni.=uni-direction=0 to +span
Example:4~20mA =0 to +1000V

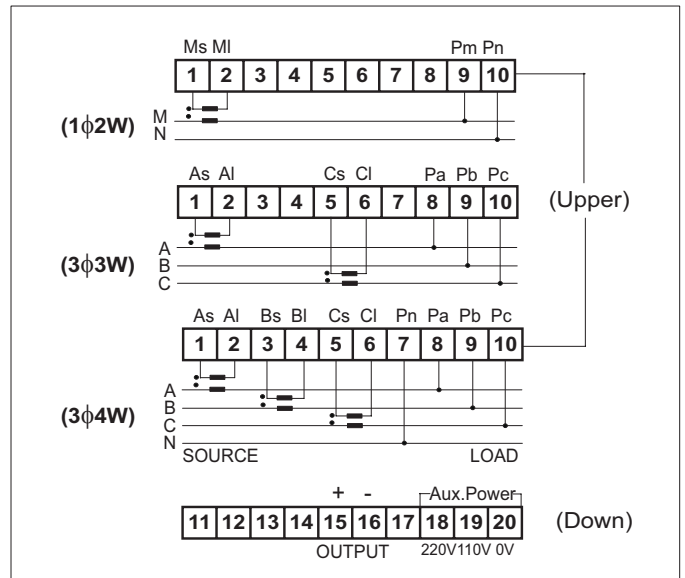
Note:2. bi=bi-direction=-span to 0 to +span
4~12~20mA=-1000W to 0 to+1000W

Note:3. uni-direction for watt of forward power,for var of lagging power

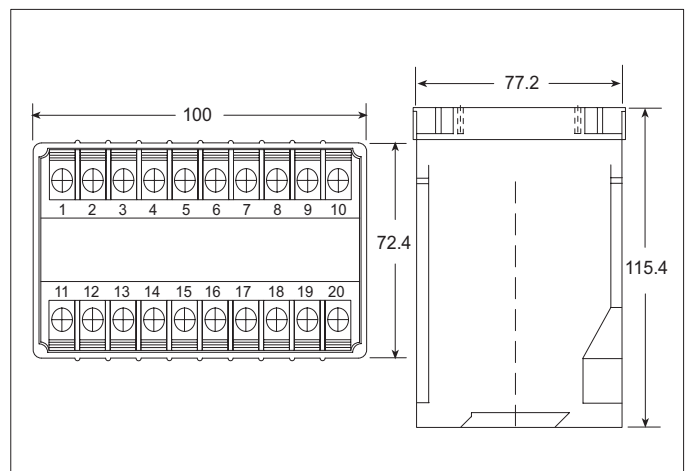
2.主要規格

- Measuring accuracy : 0.25% F.S. (23 \pm 5 $^{\circ}$ C)
(精確度)
- Input burden : <0.2VA (Voltage)
(輸入負載) <0.2VA (Current)
- Maximum input over : Current related input: 3 x rated continuous
(最大過載能力) 10 x rated 30 sec. 25 x rated 3sec.
50 x rated 1sec.
Voltage related input:maximum 2 x rated continuous
- Response time : < 250ms(0~90%)
(輸出反應速度)
- Output drive capability : < 10mA for voltage mode
(輸出負載能力) < 10V for current mode
- Output ripple (p-p) : < 0.1% F.S.
(輸出之漣波)
- Zero (offset) range : 0~ \pm 5% F.S.
(歸零調整範圍)
- Span (scale) range : 0~ \pm 10% F.S.
(最大值調整範圍)
- Temp. coefficient : 100ppm/ $^{\circ}$ C (0~50 $^{\circ}$ C)
(溫度係數)
- Isolation : Input/Output/Power/Case
(隔離特性)
- Dielectric strength : 2KVac/1 min. (input/output/power/case)
(絕緣耐壓能力)
- Impulse test : ANSI C37.90a/1974,DIN-IEC 255-4
(衝擊電壓測試) impulse voltage 5KV (1.2 x 50us)
- Surge test(ring wave) : 2.5KV-0.25ms/1MHz(IEC255-4)
(突波電壓測試)
- Operating condition : -20~60 $^{\circ}$ C (20 to 90% RH non-condensed)
(使用環境條件)
- Storage condition : -30~70 $^{\circ}$ C (20 to 90% RH non-condensed)
(存放環境條件)

3.接線圖



4.外型尺寸(unit:mm)



MODEL		Element connection	Standard analog calibration Watts or Vars					
Watts	Vars		V=120V		V=240V		V=400V	
			1A	5A	1A	5A	1A	5A
W1	V1	1 ϕ 2W	100	500	200	1K	400	2K
W3	V3	3 ϕ 3W	200	1K	400	2K	800	4K
W4	V4	3 ϕ 4W	300	1.5K	600	3K	1.2K	6K