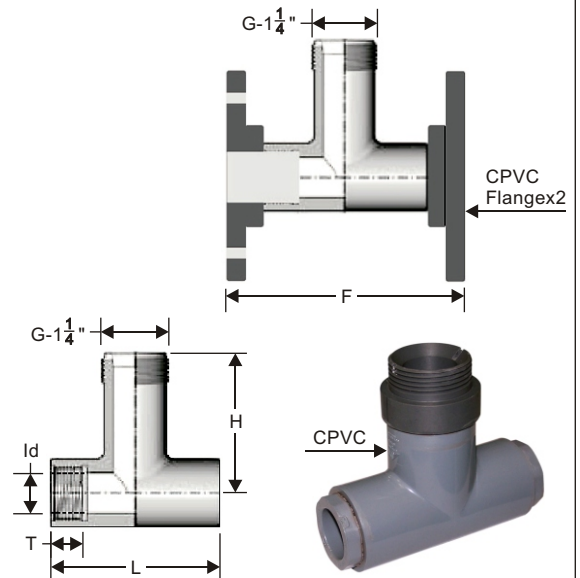


三通安裝座 [CPVC TEE FITTING (SCH80)]

選購型號 : TA-SLTF-

(Unit : mm)

| NO | TYPE | NO | Size | ND | Id | L | T | H | F | Sensor |
|---|--------------------------------|----|--------|-----|------|-------|----|------|-------|--------|
| A | Tee fitting+ANSI 150PSI Flange | 05 | 1/2" | 15 | 16.5 | 120 | 22 | 79 | 182 | L0 |
| | | 08 | 3/4" | 20 | 24 | 120 | 25 | 79 | 182 | L0 |
| J | Tee fitting+JIS 10K PSI Flange | 10 | 1" | 25 | 28 | 102 | 29 | 79 | 164 | L0 |
| | | 12 | 1 1/4" | 30 | 35 | 115.5 | 32 | 83 | - | L0 |
| T | Tee Fitting | 15 | 1 1/2" | 40 | 43 | 128 | 35 | 83 | 204 | L0 |
| | | 20 | 2" | 50 | 54 | 145.5 | 38 | 91.5 | 221.5 | L0 |
| CPVC tee fitting for ASTM SCH80 pipes Maximun operating temperature: 200 (93) | | 25 | 2 1/2" | 65 | 65 | 171 | 45 | 98.5 | 261 | L0 |
| | | 30 | 3" | 80 | 80 | 171 | 45 | 110 | 261 | L0 |
| | | 40 | 4" | 100 | 100 | 237.5 | 57 | 126 | 333.5 | L0 |



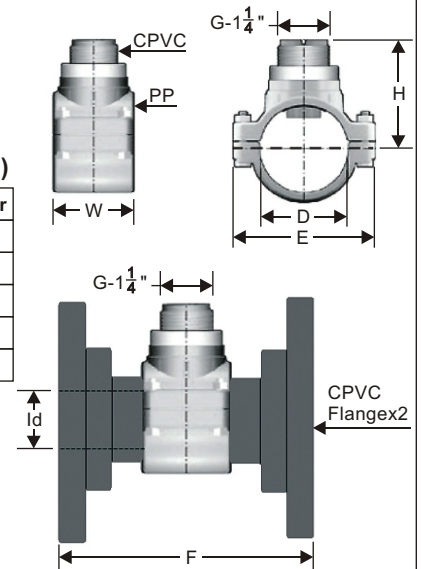
鞍型安裝座 [CPVC+PP CLAMP SADDLES (SCH80)]

選購型號 : TA-SLCS-

(Unit : mm)

| NO | TYPE | NO | Size | ND | Id | D | E | W | H | F | Sensor |
|----|--|----|--------|-----|--------|-----|-----|-----|-------|-----|--------|
| A | CPVC+PP Clamp Saddles +ANSI 150PSI Flange (CPVC) | 20 | 2" | 50 | 48.59 | 63 | 108 | 79 | 78 | 171 | L0 |
| | | 25 | 2 1/2" | 65 | 58.17 | 75 | 117 | 88 | 81.5 | 173 | L0 |
| C | CPVC+PP Clamp Saddles | 30 | 3" | 80 | 72.75 | 90 | 130 | 98 | 90 | 194 | L0 |
| J | CPVC+PP Clamp Saddles +JIS 10K Flange (CPVC) | 40 | 4" | 100 | 96.16 | 110 | 158 | 95 | 100.5 | 193 | L0 |
| | | 60 | 6" | 150 | 145.01 | 160 | 215 | 116 | 127 | 214 | L1 |

Note 1: SUS304 Bolt and Nut for PP Clamp Saddles
Note 2: TA-SLCS-CXX(Drilling hole=40mm)

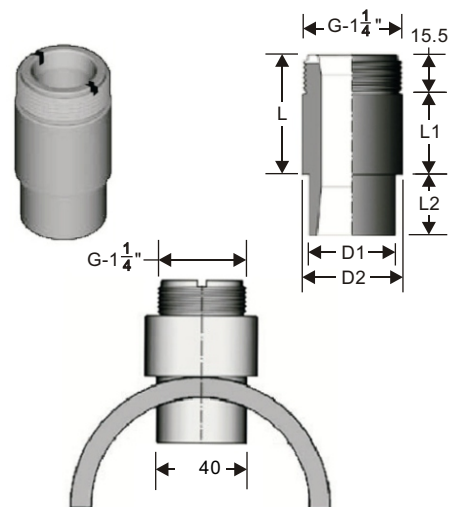


焊接管座 [CPVC GLUE-ON ADAPTERS]

選購型號 : TA-SLPG-

(Unit : mm)

| NO | PIPE Size(DN) | L | L1 | L2 | D1 | D2 | Drilling Hole | Sensor Length |
|----|-----------------|------|------|-----|----|----|---------------|---------------|
| L0 | 0.5"~4"(15~100) | 68.5 | 43.5 | 9.5 | 40 | 50 | 40 | L0 |
| L1 | 6"~24"(150~600) | 98.5 | 51 | 32 | 40 | 50 | 40 | L1 |



CPVC 膠合劑 [CPVC SOLVENT CEMENT]

選購型號 : TA-SLC [Unit : 1 Pint/case = 0.125 Gallon/case (Cement color = Gray)]

[單位 : 1 品脫 / 瓶 = 0.125 加侖 / 瓶 (膠合顏色為淺灰色)]