

特點

- 精確度±0.1%滿刻度
- 最高輸出頻率100KHz
- 寬範圍脈波輸出功能0.006Hz至100KHz
- 寬範圍脈波輸入預乘(0.1至1.0)與預除(1至165000)功能
- 輸入與輸出絕緣耐壓2仟伏特/1分鐘
- 寬範圍交直流兩用電源設計
- 尺寸小,穩定性高



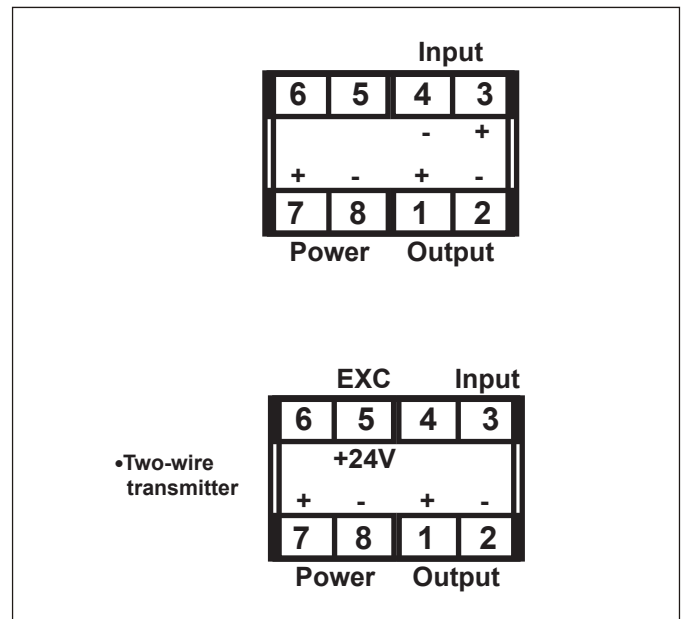
1. 選購型號: TA-TDF - □ □ □ □

| NO | Input Range | NO | Input Range | NO | Output Range | NO | Output Model | NO | Aux.Power |
|----|-------------|--|-------------|----|--------------|----|-----------------------------------|---------------------------|--------------|
| 1 | 0~50mV | 6 | 4~20mA | 1 | 0~10KHz | O | Open-collector(<30V/40mA) | A | AC/DC18~60V |
| 2 | 0~1V | 7 | •4~20mA | 2 | 0~100KHz | T | 5V(Voltage pulse<10mA) | B | AC/DC90~260V |
| 3 | 0~5V | 9 | SPECIFIED | 9 | SPECIFIED | C | 12V(Voltage pulse<10mA) | •Less 3VA for AC/DC input | |
| 4 | 1~5V | •Exciting DC24V(<25mA) (two-wire transmitter) | | | | H | 24V(Voltage pulse<10mA) | | |
| 5 | 0~10V | | | | | R | Relay contact(AC250V-1A,DC30V-2A) | | |

2. 主要規格

- Measuring accuracy : ±0.1%F.S.
(精確度)
- Input resistance : >100Mohm(<2V ranges)
>1Mohm(>2V ranges)
<100ohm(current ranges)
(輸入阻抗)
- Maximum input : <300Vrms(>2V ranges)
<150Vrms(<2V ranges)
<150mA(current ranges)
(最大過載能力)
- Responses time : <150ms(0~90%)(<100KHz)
(輸出反應時間)
- Output drive capability : < DC30V/40mA for (Open collector output,Max.100KHz)
< DC10mA for (Voltage pulse output,Max.100KHz)
AC250V-1A/DC30V-2A,for (Relay contact output,Max.100Hz)
(輸出負載能力)
- Zero (offset) range : 0~±5% F.S.
(歸零調整範圍)
- Span (scale) range : 0~±15% F.S.
(最大值調整範圍)
- Output pulse multiplier scale : 0.1~1.0 can be selective
(輸出脈波預乘範圍)
- Output pulse divide scale : 1~165000 can be selective
(輸出脈波預除範圍)
- Temp. coefficient : ±100ppm/°C (0~50°C)
(溫度係數)
- Isolation : Input/Output/Power/Case
(隔離特性)
- Insulation Resistance : >100Mohm with 500VDC
(絕緣阻抗)
- Dielectric strength : 2KVac/1 min. (input/output/power) 1600Vdc (input/output)
(絕緣耐壓能力)
- Operating condition : 0~60°C(20 to 90% RH non-condensed)
(使用環境條件)
- Storage condition : 0~70°C(20 to 90% RH non-condensed)
(存放環境條件)
- Construction : Socket/plugin type with barrier terminals
(安裝方式)

3. 接線圖



4. 外型尺寸(unit:mm)

